

User Guide



Getting to Know Your ScanMaker 9800XL Plus

The ScanMaker 9800XL Plus is a tabloid-size scanner with a 12" x 17" scan bed, 1600 x 3200-dpi optical resolution, 3.7 maximum optical density, a Hi-Speed USB interface, and one Smart-Touch button on the front panel for an easy access to the scan function. With the use of the TMA 1600-III Transparent Media Adapter (available as either standard or optional equipment), you can also scan film and transparencies – including X-rays – up to 12" x 16" in size.

Contents

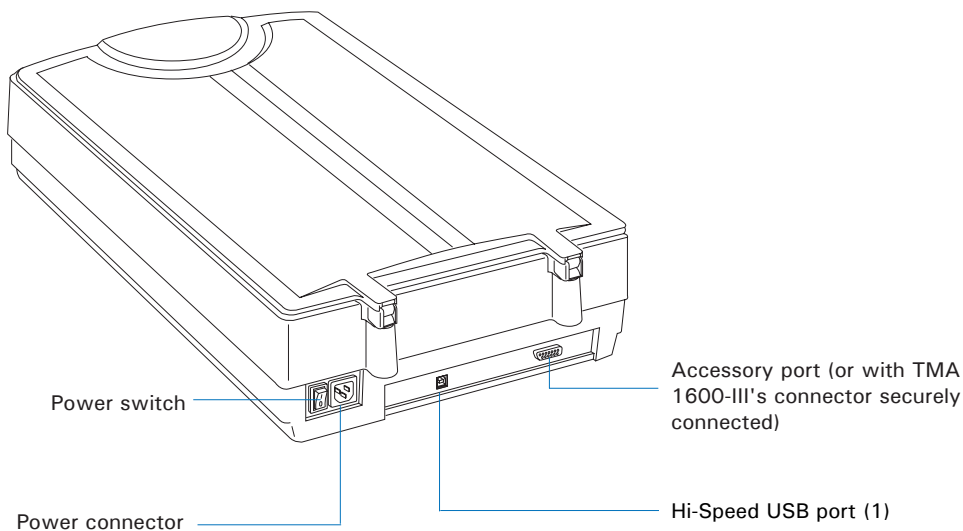
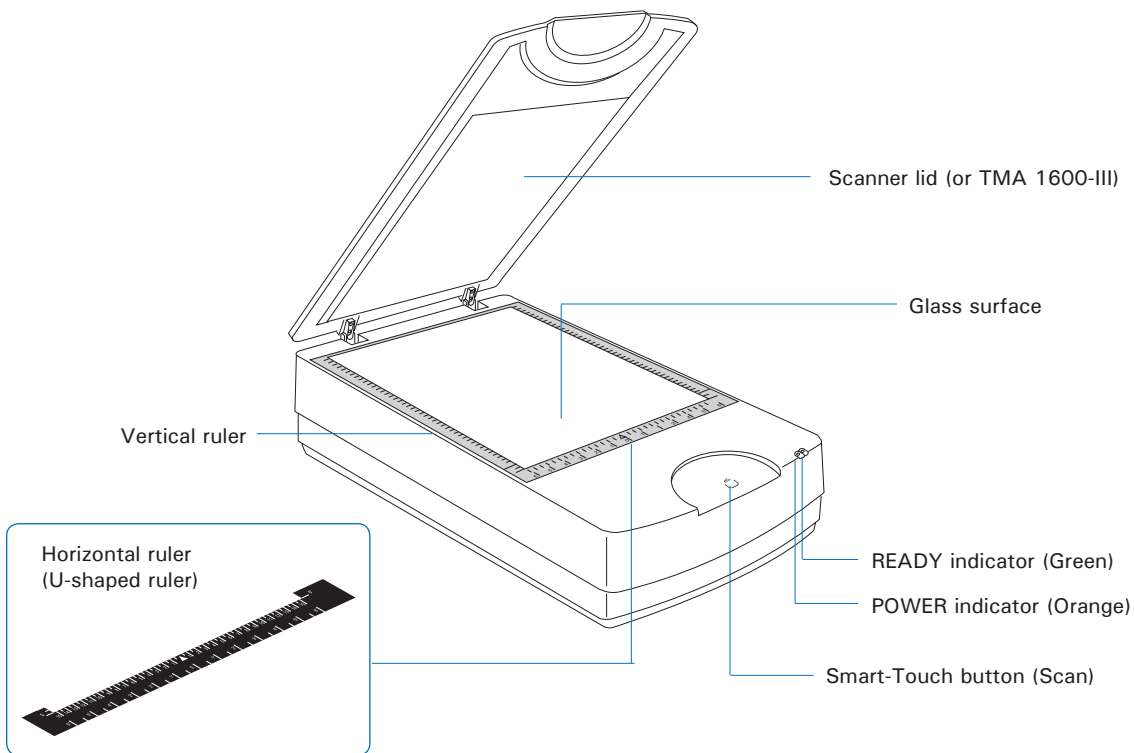
Getting to Know Your ScanMaker 9800XL Plus	1	Scanning Scenarios	17
Features of the ScanMaker 9800XL Plus	2	For PC Users Using ScanWizard Pro	18
Taking a Closer Look	3	A. Scanning Photos	18
Unlocking the Scanner	4	B. Scanning Positive Film	21
How to Use the TMA 1600-III	5	C. Scanning Negative Film	24
A. Unpacking TMA 1600-III	5	For Mac Users Using ScanPotter	27
B. Installing the TMA 1600-III	6	Using the Microtek Scanner ICC Profiler (MSP)	29
C. Unlocking the TMA 1600-III	7	MSP and IT8 Calibration Data Installation	29
Positioning Reflective Originals	8	Calibration Target	29
Positioning Transparent Film	10	Positioning the Target	30
A. Using the 35mm Slide Template	11	A. Positioning the Reflective Target	30
B. Using the 35mm Filmstrip Template	12	B. Positioning the Transparent Target	30
C. Using the 120 Film Template	13	Calibration Setup	31
D. Using the 4" x 5" Film Template	14	Calibration and Profiling	32
E. Using the Film Alignment Ruler	15	Loading a Profile	33
Positioning Multiple Templates	16	Specifications / System Requirements	34
		FCC Compliance Statement	35

Features of the ScanMaker 9800XL Plus

The ScanMaker 9800XL Plus comes with several important features, including the following:

- **Large 12" x 17" scan bed:** The tabloid-size scan bed of the ScanMaker 9800XL Plus lets you easily scan oversized originals, contact sheets, large pieces of art, mechanical blueprints, and X-rays.
- **1600 x 3200-dpi resolution:** The exceptionally high resolution of the ScanMaker 9800XL Plus lets you scan even postage-size images and enlarge them with amazing clarity, with little loss of detail. The scanner's 3.7 maximum optical density allows it to capture a wide range of tones approximating real-life color and hues.
- **Smart-Touch button :** A Smart-Touch button (Scan) locating at the front panel of the scanner provides you a quick and easy way to capture images that can be automatically saved as files or sent to another application for further processing later.
- **Energy-saving LED light source:** Adopting LEDs as the light source, when the scanner is detected by the system, there are no requirements for any warm-up time before carrying out the scan, which boots your productivity and reduces energy costs amazingly. With its stable performance, the image quality will remain consistent even after used for a certain period of time.
- **Microtek's ColoRescue™ system:** With ColoRescue, the ScanMaker 9800XL Plus restores faded colors in photos and film, bringing hues back to their original luster and brilliance for more vibrant images. ColoRescue's one-click, automatic color recovery process is simple and straightforward, involving no learning curve or hassle.
- **Transparent Media Adapter:** The TMA 1600-III is available as either standard equipment or optional accessory (depending on the configuration of the ScanMaker 9800XL Plus that you purchased). With the use of the TMA 1600-III, you can scan X-rays, positive transparencies, and negative film. The included templates accommodate a variety of film sizes, including 35mm slides, 35mm filmstrips, 4" x 5" film, and medium format film from 6 x 4.5-cm up to 6 x 17-cm panoramic film.
- **Microtek ScanWizard™ Pro scanning software (PC):** This is an advanced scanner controller program that provides many powerful, professional-level features for scanning. ScanWizard Pro includes the Microtek Scanner ICC Profiler (MSP) program, which allows users to calibrate the scanner and generate the appropriate ICC color profile to ensure color consistency and accuracy during the scanning process. ScanWizard Pro also features two color spaces, allowing users to work in the Native CMYK / RGB mode, as well as in the intuitive LCH (Lightness, Chroma, Hue) mode.
- **ScanPotter scanning software (Mac):** ScanPotter is a scanning software developed exclusively for Microtek scanners running on a Mac system. ScanPotter has a unique and clean interface that users will find productive and easy to use.

Taking a Closer Look

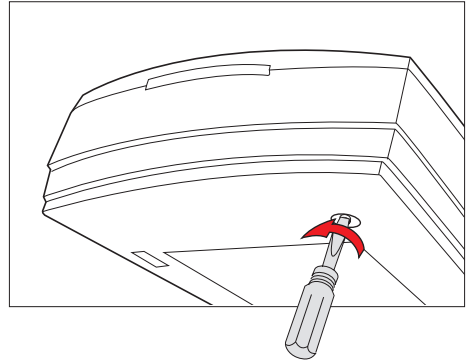


Unlocking the Scanner

Before you can operate the scanner, you will need to unlock the scanner. To unlock the scanner, follow the steps below:

1. Remove the yellow “Step 3” sticker from your scanner.
2. Look for the unlocking screw at the bottom of the scanner.
3. Using a screwdriver, push and turn the locking screw counterclockwise to the unlock position.

When successfully unlocked, the screw will push out a little, protruding slightly from the bottom of the scanner.



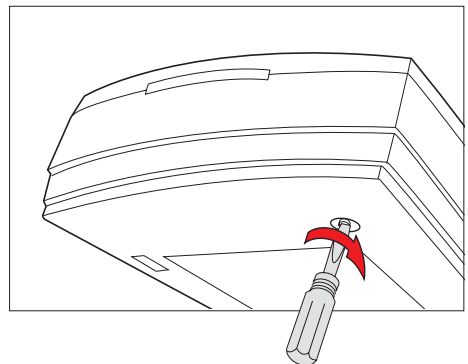
Shipping the Scanner

If you have to transport the scanner, you will need to lock the scanner back. Follow the steps below:

1. Turn off the scanner if your scanner is on.
2. Turn the scanner back on. The scanner’s carriage will move to the standby position in a few moments.
3. When the indicators on the front of your scanner stop blinking, use a screwdriver, and then push and turn the locking screw clockwise to the locked position.

When the screw has been tightened, this indicates that your scanner is locked.

4. Turn off your scanner. The scanner is now ready for transport.

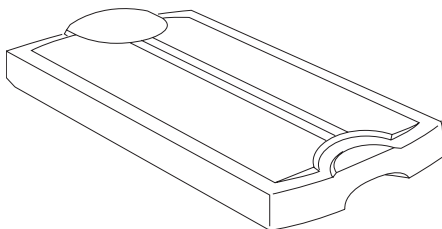


How to Use the TMA 1600-III

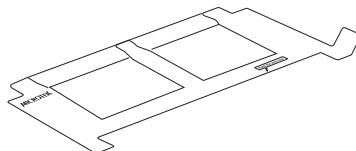
The Transparent Media Adapter (TMA 1600-III) is specially designed to scan slides, transparencies, and negative film with the ScanMaker 9800XL Plus scanner. The TMA 1600-III is available either as standard equipment or an optional accessory (depending on the scanner configuration that you purchased).

A. Unpacking the TMA 1600-III

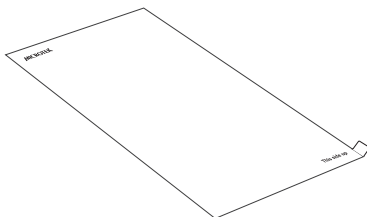
The TMA 1600-III is packaged as an assembled unit. Make sure that the following major components are included after unpacking your TMA 1600-III:



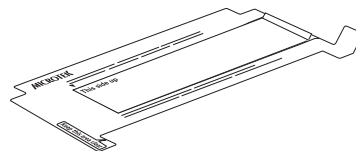
TMA 1600-III



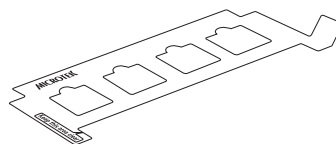
4" x 5" Film Template (2)



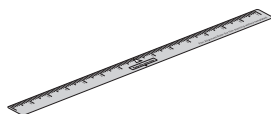
Black Plate
(for scanning reflective media)



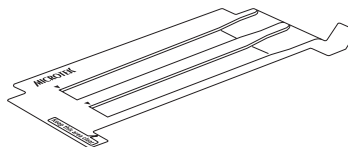
120 Film Template with Black Plate (3)



35mm Slide Template (3)



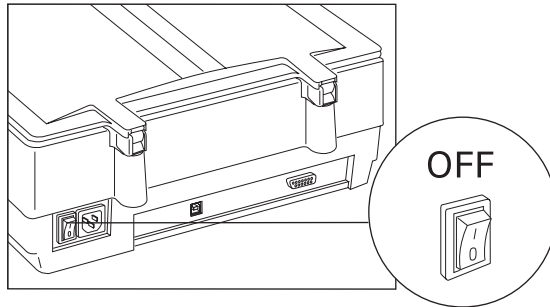
Film Alignment Ruler
(for scanning film without using templates)



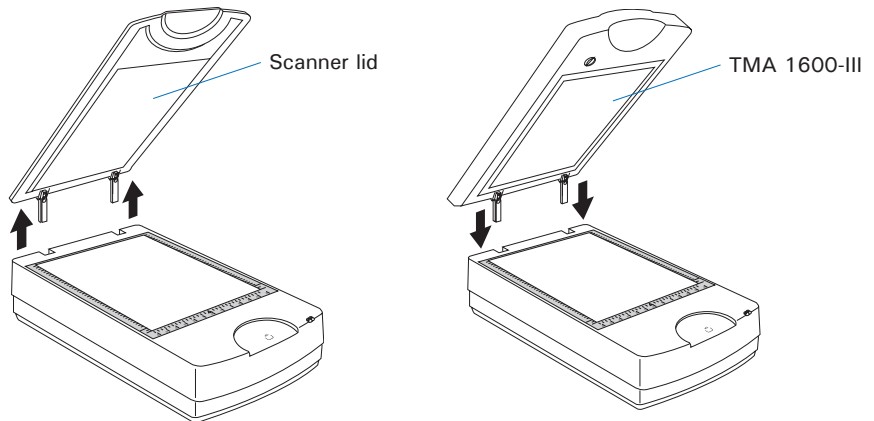
35mm Filmstrip Template (3)

B. Installing the TMA 1600-III

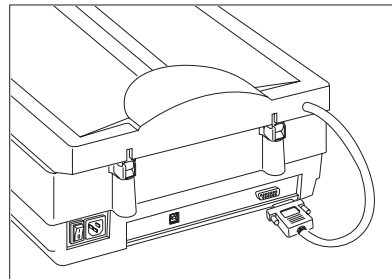
1. Check to make sure that the scanner power is switched off.



2. Remove the scanner lid, then attach the TMA 1600-III by sliding the posts at the rear of the TMA 1600-III into the holes.




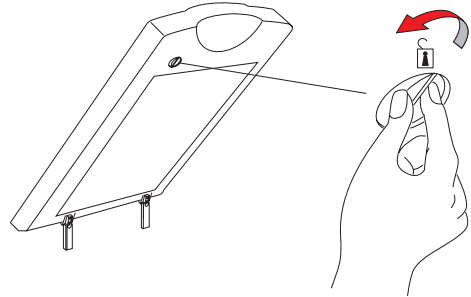
3. Plug the connector of the TMA 1600-III into the scanner's 15-pin accessory port.



C. Unlocking the TMA 1600-III


Before you can operate the TMA 1600-III, you will need to unlock the TMA 1600-III. Follow the steps below:

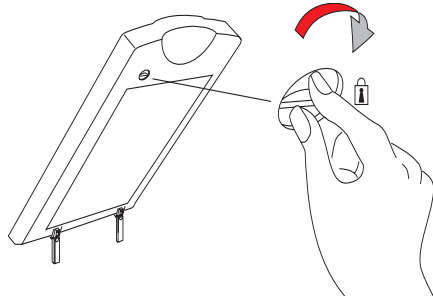
1. Remove the yellow “Step 3” sticker from the TMA.
2. Look for the locking knob at the base of the TMA 1600-III.
3. Turn the locking knob counterclockwise to the unlock position “”.



Shipping the TMA 1600-III

If you have to transport the TMA 1600-III, you will need to lock the TMA 1600-III back. Follow the steps below:

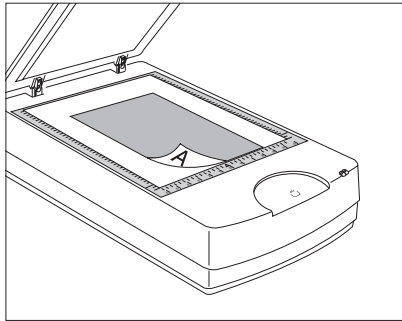
1. Make sure the TMA 1600-III is connected to the scanner, then turn off the scanner if your scanner is on.
2. Turn the scanner back on. The TMA 1600-III's carriage will move to the standby position in a few moments.
3. When the indicators on the front of your TMA 1600-III and scanner stop blinking, turn the locking knob clockwise to the lock position “”.
4. Turn off your scanner and disconnect the TMA 1600-III connector from the scanner. The TMA 1600-III is ready for transport.



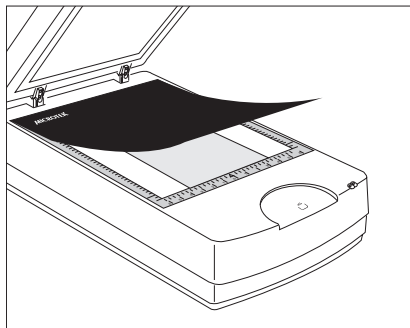
Positioning Reflective Originals

To scan reflective originals such as photos, you can use the ScanMaker 9800XL Plus with or without the TMA 1600-III.

- A. If you purchased your ScanMaker 9800XL Plus without the TMA 1600-III, simply lift the scanner lid, and place the reflective original to be scanned on the scanner glass surface. Center the original along the U-shaped ruler on the scanner.



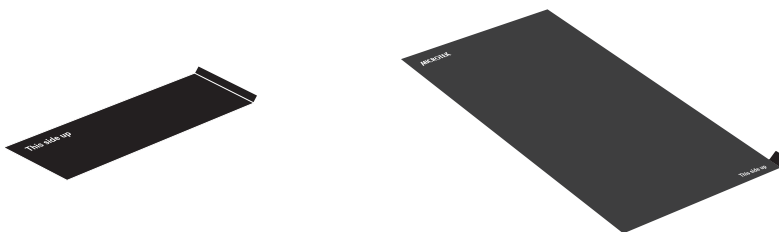
- B. If you purchased your ScanMaker 9800XL Plus with the TMA 1600-III, you will need to use the **Black Plate** included with your TMA 1600-III package to shield unwanted light.
1. Place the reflective original face down on the scanner glass surface. Center the original along the U-shaped ruler on the scanner.
 2. Peel the protective film from the Black Plate.
 3. Put the Black Plate on top of the reflective photo to be scanned, so that the Plate covers the photo. The side of the Black Plate that reads "This side up" should be facing up.



4. Gently lower the TMA 1600-III down onto the scanner glass surface.

The Black Plate

Light from the TMA 1600-III and other ambient light during scanning may result in overexposed images. The Black Plate is designed to work with 120 film and reflective originals. To ensure correct exposure and optimal image quality during scanning, the Black Mat should be used to shield unwanted light out. Two Black Plates are available with your TMA 1600-III package.



Take note of the following before using the Black Plate.

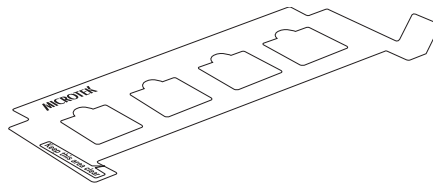
1. The Black Plate may become dirty over time and with prolonged use. To clean the plate, use a white cotton cloth dipped in some water, and gently wipe the plate surface. This ensures that the Black Plate is in optimal condition at all times.
2. A protective film covers the Black Plate during shipping and prevents it from being scratched. When peeling the film from the plate, be careful not to tear or bend the Black Plate.



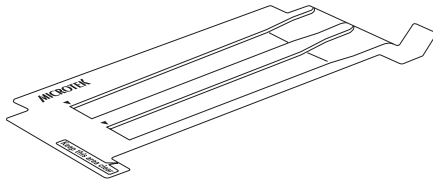
Positioning Transparent Film

To scan transparent film, use the templates or Film Alignment Ruler included with your package. Use the templates to scan standard-size transparent film such as 35mm slides, 35mm filmstrips, 4" x 5" film, or 120 film (6 x 17 cm panoramic film). Use the Film Alignment Ruler to scan non-standard-size transparent film such as 8" x 10" film, as well as medical and dental X-rays.

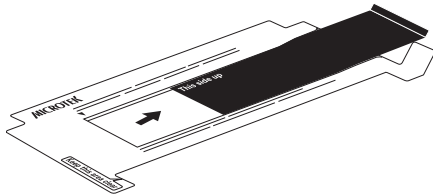
Included in the TMA 1600-III package are four types of templates – 35mm Slide Template, 35mm Filmstrip Template, 120 Film Template, and 4" x 5" Film Template. Use the template that correctly matches the film type to be scanned. The use of the individual film templates and Film Alignment Ruler is explained in the succeeding pages of the manual.



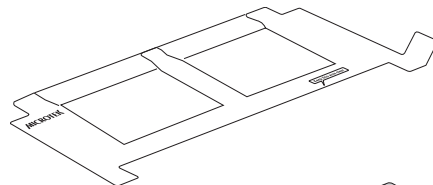
35mm Slide Template



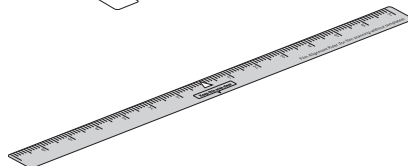
35mm Filmstrip Template



120 Film Template



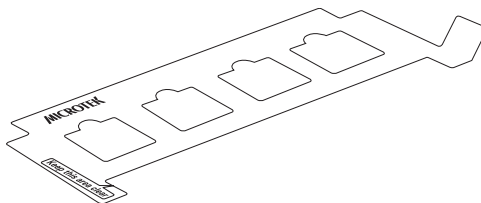
4" x 5" Film Template



Film Alignment Ruler

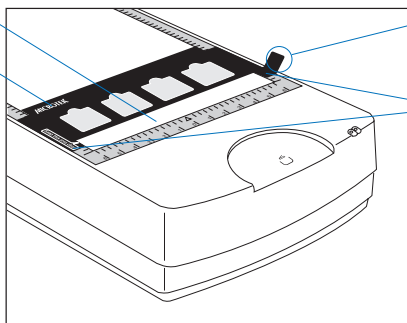
A. Using the 35mm Slide Template

To scan 35mm slides, use the 35mm Slide Template, which can hold up to 4 mounted 35mm slides at a time.



1. Place the 35mm Slide Template on the scanner glass surface. Make sure to orient the template with the “Microtek” logo facing up.

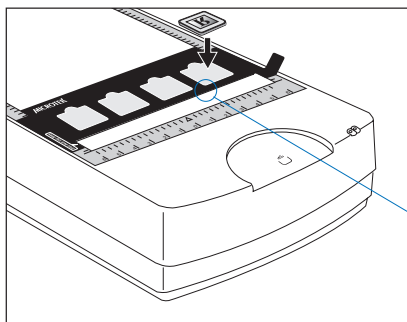
Calibration strip
Microtek logo



The **Grabber** is used to remove the template out of the scanner glass surface.

Important: Align the template's front corners firmly against the top corners (left and right) of the U-shaped ruler located at the front of the scanner. During placement of the template, make sure that the calibration strip on the scanner glass surface is kept clear and free of obstruction at all times.

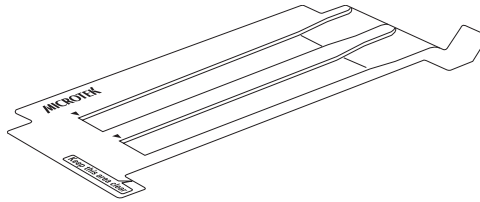
2. Place the 35mm slides to be scanned inside the individual frames of the 35mm Slide Template. The shiny base of the 35mm slide should be facing down, and the emulsion side of the slide should be facing up.



Align the 35mm slide against the bottom-left corner of the frame

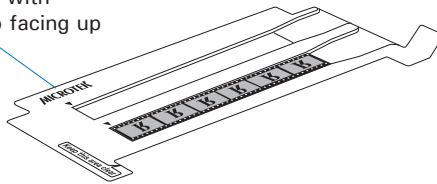
B. Using the 35mm Filmstrip Template

To scan 35mm filmstrips, use the 35mm Filmstrip Template, which can simultaneously hold two strips of 6 frames each, or a total of 12 frames.

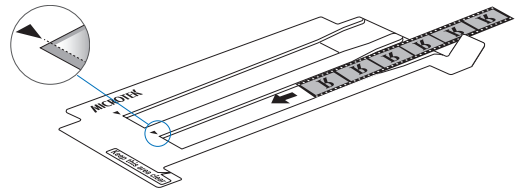


1. Place the 35mm filmstrip to be scanned inside the frame of the 35mm Filmstrip Template. The shiny base of the 35mm filmstrip should be facing down, and the emulsion side of the filmstrip should be facing up.

Orient template with "Microtek" logo facing up

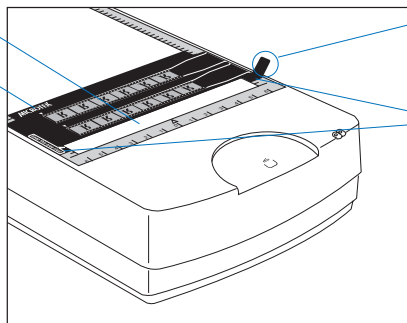


Align the edge of the film frame with the arrow mark of the template



2. Place the 35mm Filmstrip Template containing the loaded filmstrip on the scanner glass surface. Make sure to orient the template with the "Microtek" logo facing up.

Calibration strip
Microtek logo

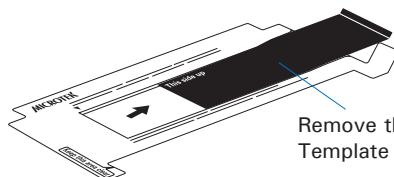


The **Grabber** is used to remove the template out of the scanner glass surface.

Important: Align the template's front corners firmly against the top corners (left and right) of the U-shaped ruler located at the front of the scanner. During placement of the template, make sure that the calibration strip on the scanner glass surface is kept clear and free of obstruction at all times.

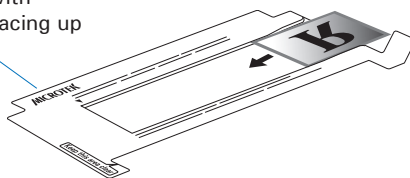
C. Using the 120 Film Template

To scan 6 x 4.5 cm, 6 x 6 cm, 6 x 7 cm, 6 x 9 cm, and 6 x 17 cm panoramic film, use the 120 Film Template, which can hold up to 4 pieces of 6 x 4.5 cm film, 2 pieces of 6 x 9 cm film, or a single piece of 6 x 17 cm panoramic film.

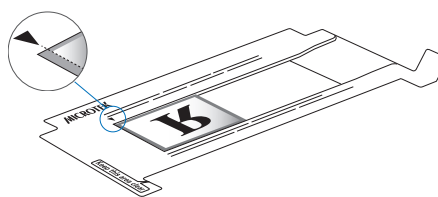


1. Place the 120 film to be scanned inside the frame of the 120 Film Template. The shiny base of the 120 film should be facing down, and the emulsion side of the film should be facing up.

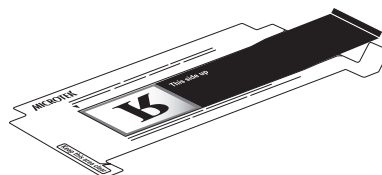
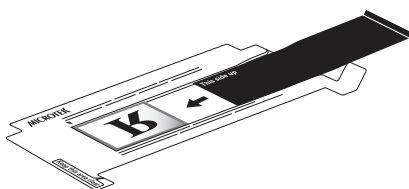
Orient template with "Microtek" logo facing up



Align the edge of the film frame with the arrow mark of the template



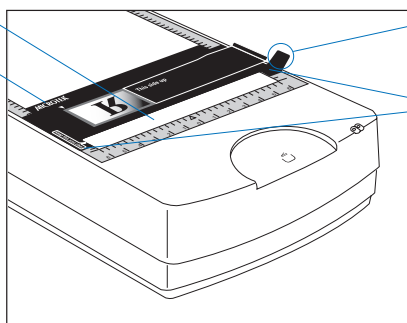
2. Load the Black Plate into the template frame, with the side of the Black Plate that reads "This side up" facing up. Slide the Black Plate until its edge is against the film and completely covers the blank spaces of the template.



3. Place the 120 Film Template containing the loaded film on the scanner glass surface. Make sure to orient the template with the "Microtek" logo facing up.

Calibration strip

Microtek logo

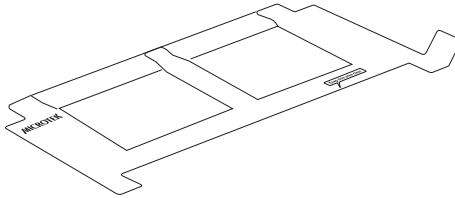


The **Grabber** is used to remove the template out of the scanner glass surface.

Important: Align the template's front corners firmly against the top corners (left and right) of the U-shaped ruler located at the front of the scanner. During placement of the template, make sure that the calibration strip on the scanner glass surface is kept clear and free of obstruction at all times.

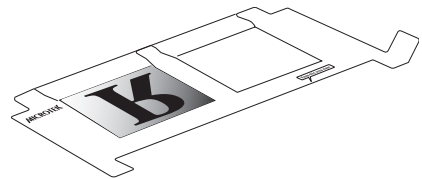
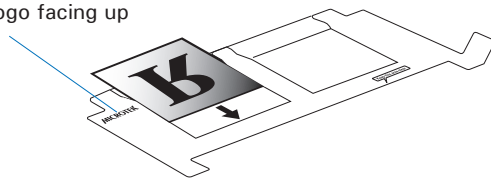
D. Using the 4" x 5" Film Template

To scan 4" x 5" film, use the 4" x 5" Film Template, which can hold up to 2 pieces of 4" x 5" film at a time.



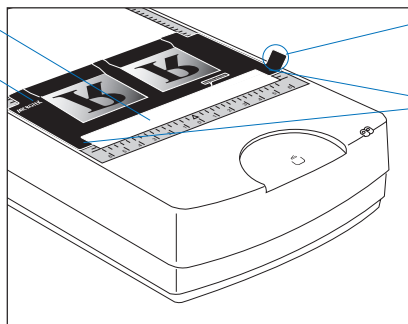
1. Place the 4" x 5" film to be scanned inside the frame of the 4" x 5" Template. The shiny base of the 4" x 5" film should be facing down, and the emulsion side of the film should be facing up.

Orient template with
"Microtek" logo facing up



2. Place the 4" x 5" Film Template containing the loaded film on the scanner glass surface. Make sure to orient the template with the "Microtek" logo facing up.

Calibration strip
Microtek logo

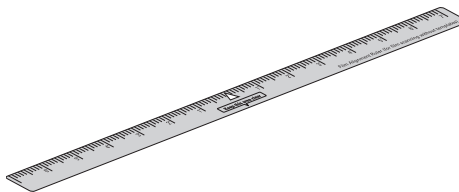


The **Grabber** is used to remove the template out of the scanner glass surface.

Important: Align the template's front corners firmly against the top corners (left and right) of the U-shaped ruler located at the front of the scanner. During placement of the template, make sure that the calibration strip on the scanner glass surface is kept clear and free of obstruction at all times.

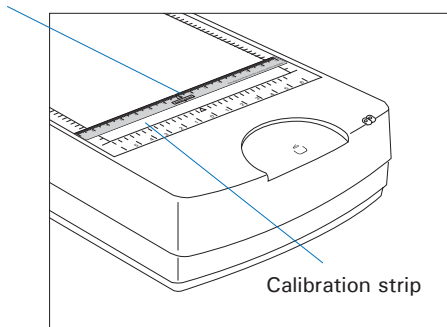
E. Using the Film Alignment Ruler

To scan non-standard-size film such as 8" x 10" film, medical and dental X-rays, use the Film Alignment Ruler, which allows you to scan film up to 12" x 16.9" in size.



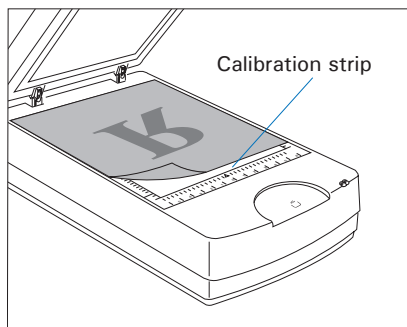
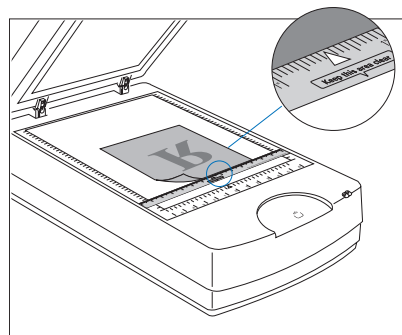
1. Place the Film Alignment Ruler* on the scanner glass surface.

Film Alignment Ruler



Important: Align the Film Alignment Ruler firmly against the corners (left and right) of the U-shaped ruler located at the front of the scanner, with the ruler oriented correctly and with the correct side up. During placement of the Ruler, make sure that the calibration strip on the scanner glass surface is kept clear and free of obstruction at all times.

2. Place the film (X-ray or other non-standard size) to be scanned on the scanner glass surface, and center the film along the Film Alignment Ruler on the scanner.

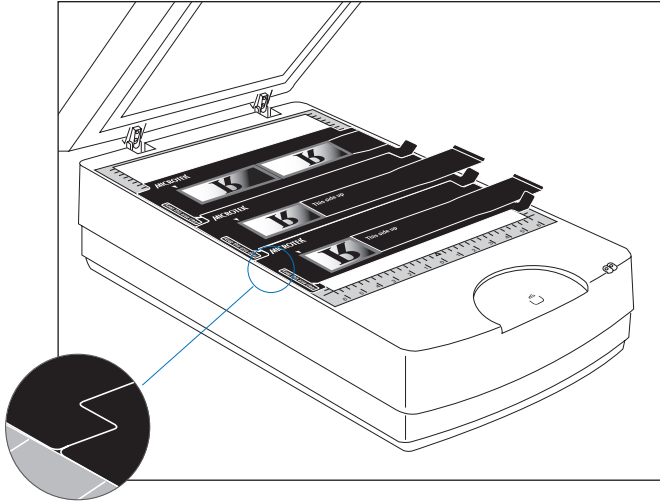


* Please note that the Film Alignment Ruler should be removed from the glass surface of the scanner if the width of the film is larger than the width of the scanner glass surface.

If the Film Alignment Ruler is not going to be used, align the film to be scanned against the top corners (left and right) of the U-shaped ruler located at the front of the scanner. During placement of the film, make sure that the calibration strip on the scanner glass surface is kept clear and free of obstruction at all times.

Positioning Multiple Templates

At least two sets of each template are included in your TMA 1600-III package for multiple placements of the templates on the scanner. The templates can be placed side by side on the scanner glass surface, as shown in the illustration below.



Scanning Scenarios

The following pages provide various scenarios for scanning with the ScanMaker 9800XL Plus, including the following:

For PC Users Using ScanWizard Pro,

- Scanning photos: This scenario can also be your first scan in order to familiarize yourself with scanning basics.
- Scanning positive film: This scenario details the steps for scanning positive film, such as 35mm mounted slides and X-rays.
- Scanning negative film: This scenario details the steps for scanning negative film, such as 35mm filmstrips, 6 x 17 cm (120) panoramic film, and 4" x 5" / 6 x 9 cm film.

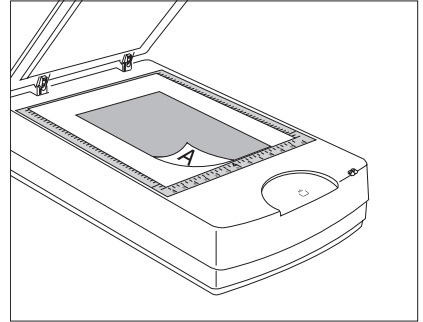
For Mac Users Using ScanPotter,

- Scanning photos and film: This scenario details the steps for scanning photos and film.

For PC Users Using ScanWizard Pro

A. Scanning Photos

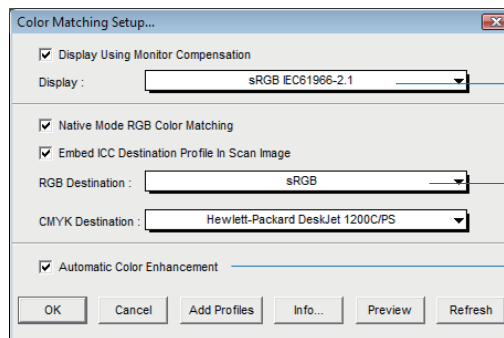
1. Place the photo to be scanned face down on the scanner glass surface, as detailed in the “Positioning Reflective Originals” section in this guide.



2. Launch ScanWizard Pro either as a standalone by clicking the program icon, or by using the File-Import or File-Acquire command from your image-editing program (such as Adobe Photoshop).

The first time you launch ScanWizard Pro, you will be prompted to set up color matching for your scanner. If you are not sure about what to do, simply click the **OK** button to accept the settings. You can always change the settings at a later time.

For more information, see the *Color Matching Setup* section in the *ScanWizard Pro Reference Manual* in the Microtek Software DVD.

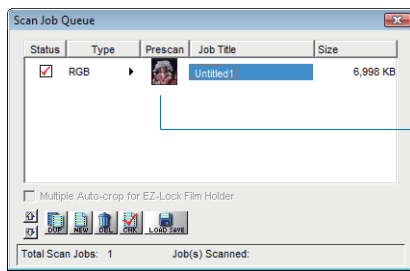
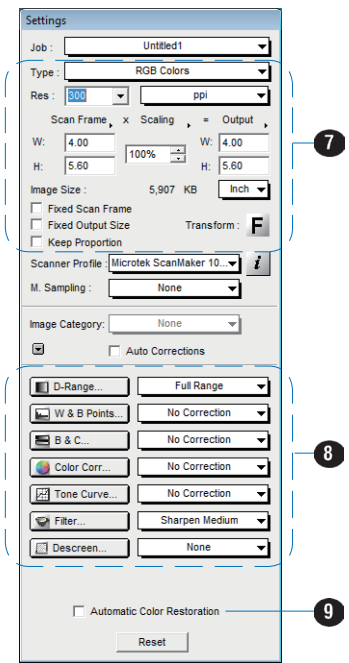
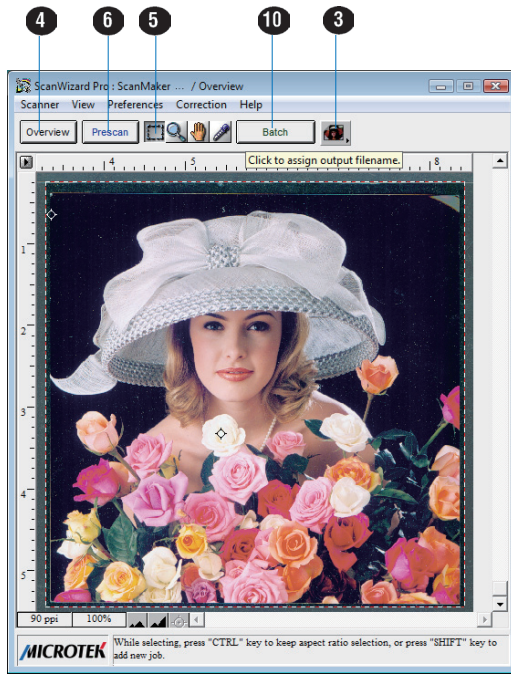


Pertains to how your monitor displays color, relative to the RGB Destination color space

Color Matching features

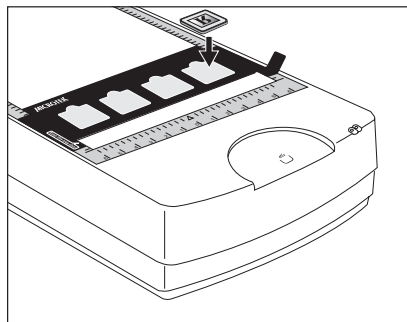
Improves the contrast and saturation of an image

3. Go to the Preview window of ScanWizard Pro, and choose **Reflective** from the **Scan Material** menu.
4. Click the **Overview** button to perform a preliminary scan of the image, which will appear in the Preview window.
5. Select the **Scan Frame** tool from the Toolbar in the Preview window, and choose the area to be scanned by dragging a rectangle around it. You will see a flashing frame (marquee) around the selected area.
6. Click the **Prescan** button to display a detailed image of area selected by the Scan Frame tool. A thumbnail of the image appears as well in the Scan Job Queue window.
7. Specify your scanning requirements in the Settings window.
 - a) Select a desired image type.
 - b) Select a desired resolution.
 - c) Adjust the scan frame settings if necessary.
8. Adjust image quality if necessary, using the Advanced Image Correction (AIC) tools.
9. If the colors in your photo are faded and need restoring, check the “Automatic Color Restoration” box in the Settings window.
10. Click the **Scan** (or “Batch”) button in the Preview window or on the scanner unit to start scanning.
 - If ScanWizard Pro was launched from an application program, the image is then delivered to your application, where the image can be saved, printed, or edited.
 - If ScanWizard Pro was launched in standalone mode, you will be prompted to specify the file attributes for the scanned image after the Scan or Batch button is pressed, such as entering the file name, specifying a folder name of your own, etc. When you have completed the settings, press the Done/Save button, and the scanner will automatically scan and save your image based on your settings.



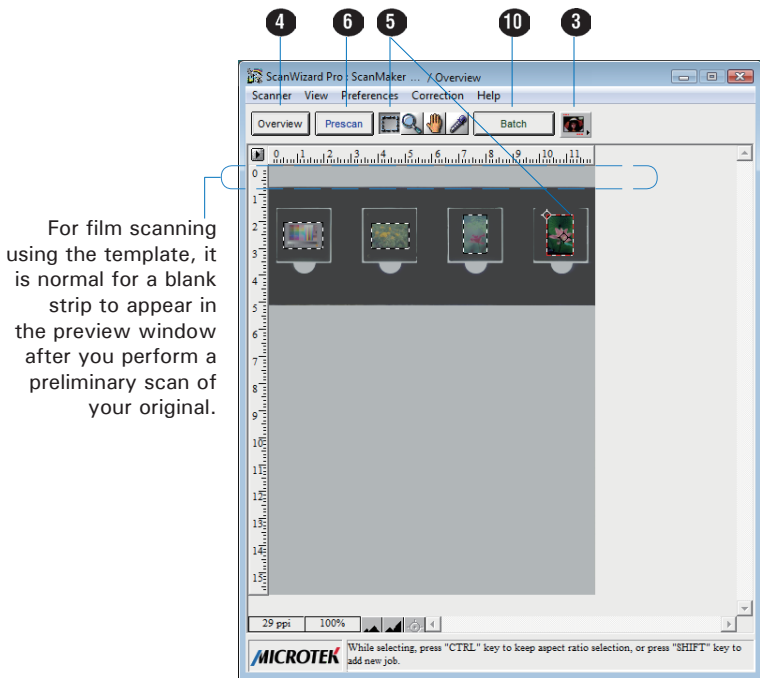
B. Scanning Positive Film

1. Select the film you wish to scan, then position the transparent films on the scanner glass surface, as detailed in the “Positioning Transparent Film” section of this guide.

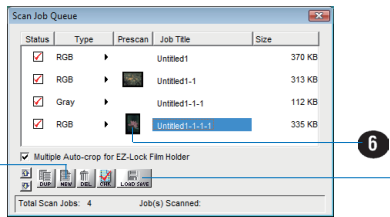
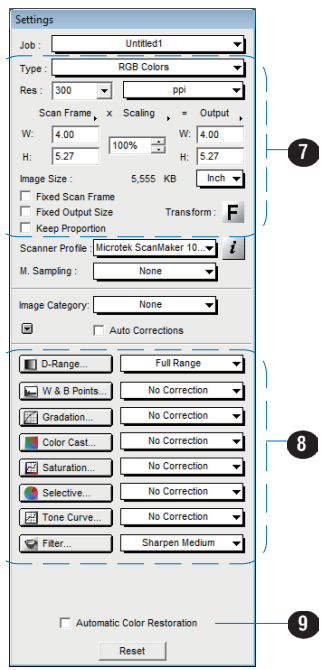


2. Launch ScanWizard Pro either as a stand-alone by clicking on the program icon, or by using the File-Import or File-Acquire command from your image-editing program (such as Adobe Photoshop).
3. Go to the Preview window and choose **Positive / Positive Film** from the **Scan Material** menu.
4. Click the **Overview** button to perform a preliminary scan of your original.
5. Select the **Scan Frame** tool from the Toolbar in the Preview window, and choose the area to be scanned by dragging a rectangle around it. You will see a flashing frame (marquee) around the selected area.
6. Click the **Prescan** button to display a detailed image area selected via the Scan Frame tool. A thumbnail of the image appears as well in the Scan Job Queue window.
7. Specify your scanning requirements in the Settings window.
 - a) Select a desired image type.
 - b) Select a desired resolution.
 - c) Adjust the scan frame settings if necessary.
8. Adjust image quality if necessary, using the Advanced Image Correction (AIC) tools.
9. If the colors in your photo are faded and need restoring, check the “Automatic Color Restoration” box in the Settings window.
10. Click the **Scan** (or “Batch”) button in the Preview window or on the scanner unit to start scanning.

- If ScanWizard Pro was launched from an application program, the image is then delivered to your application, where the image can be saved, printed, or edited.
- If ScanWizard Pro was launched in standalone mode, you will be prompted to specify the file attributes for the scanned image after the Scan or Batch button is pressed, such as entering the file name, specifying a folder name of your own, etc. When you have completed the settings, press the Done/Save button, and the scanner will automatically scan and save your image based on your settings.

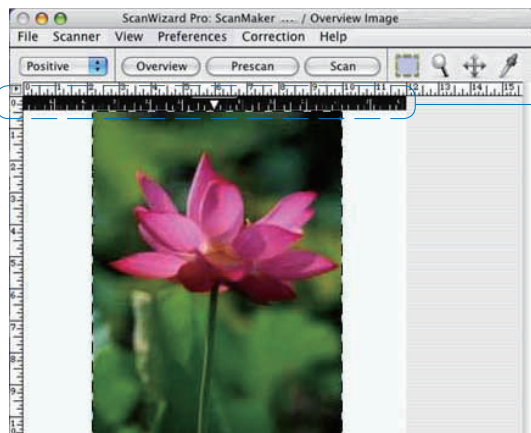


For film scanning using the template, it is normal for a blank strip to appear in the preview window after you perform a preliminary scan of your original.



The New button allows you to create as many scan jobs as you wish, and each scan job can then have its own settings.

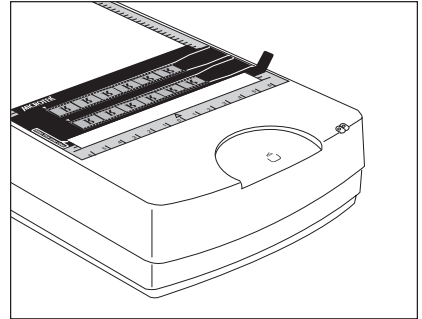
The Load/Save button allows you to select a film template mode from a list of predefined modes. The selected template mode will crop the images and replace all existing scan jobs automatically.



For film scanning using the Film Alignment Ruler, it is normal for a black ruler to appear in the preview window after you perform a preliminary scan of your original.

C. Scanning Negative Film

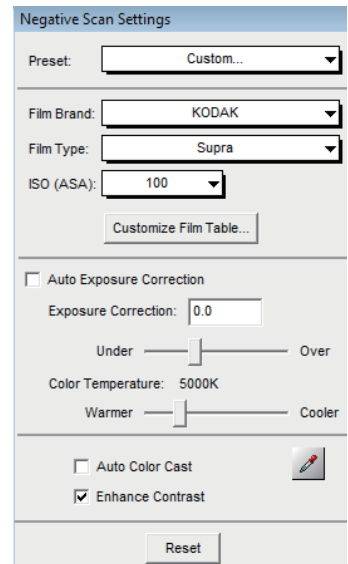
1. Select the film you wish to scan, then position the transparent films on the scanner glass surface, as detailed in the “Positioning Transparent Film” section of this guide.



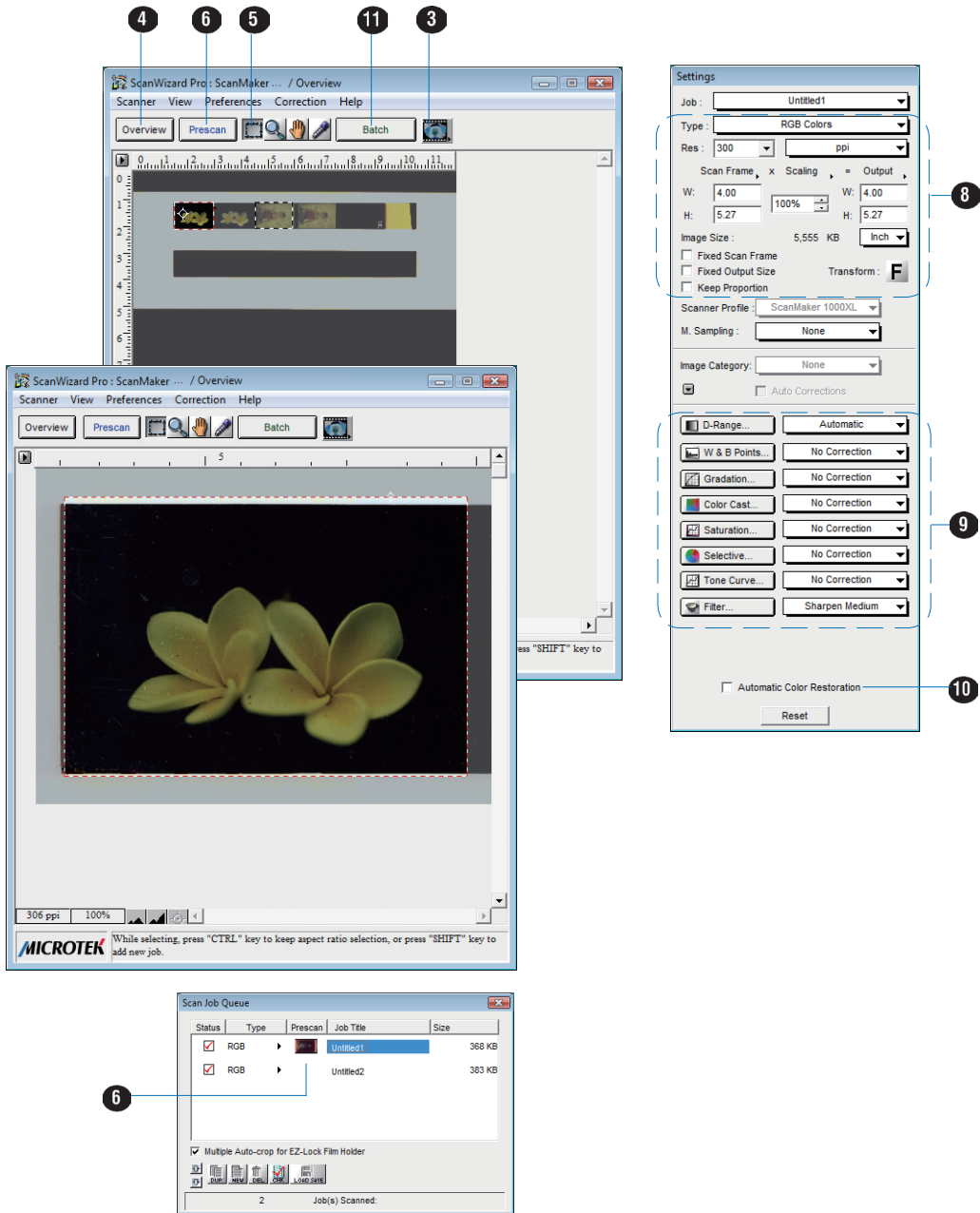
2. Launch ScanWizard Pro either as a stand-alone by clicking on the program icon, or by using the File-Import or File-Acquire command from your image-editing program (such as Adobe Photoshop).
3. Go to the Preview window and choose **Negative / Negative Film** from the **Scan Material** menu.
4. Click the **Overview** button to perform a preliminary scan of your original.
5. Select the **Scan Frame** tool from the Toolbar in the Preview window, and choose the area to be scanned by dragging a rectangle around it. You will see a flashing frame (marquee) around the selected area.
6. Click the **Prescan** button to display a detailed image. A thumbnail of the image appears as well in the Scan Job Queue window.
7. In the Negative Scan Settings window, you can specify options related to your scanned negative film. Follow the steps below.

- a) In the *Negative Scan Settings* window, choose the Film Brand, Film Type, and ISO settings that match your film.
- b) The settings for the negative film you selected are applied to the prescan image, and the adjusted image is displayed in the Preview window.
- c) You can save the selected negative film settings into the Preset drop-down menu for easy access in the future.

For more details on how to control settings for negative film scanning, see the section “Negative Scan Settings Window” in the ScanWizard Pro Reference Manual in the Microtek Software DVD.



8. Specify your scanning requirements in the *Settings* window.
 - a) Select a desired image type.
 - b) Select a desired resolution.
 - c) Adjust the scan frame settings if necessary.
9. Adjust image quality if necessary, using the Advanced Image Correction (AIC) tools.
10. If the colors in your film are faded and need restoring, check the “Automatic Color Restoration” box in the Settings window.
11. Click the **Scan** (or “Batch”) button in the Preview window or on the scanner unit to start scanning.
 - If ScanWizard Pro was launched from an application program, the image is then delivered to your application, where the image can be saved, printed, or edited.
 - If ScanWizard Pro was launched in standalone mode, you will be prompted to specify the file attributes for the scanned image after the Scan or Batch button is pressed, such as entering the file name, specifying a folder name of your own, etc. When you have completed the settings, press the Done/Save button, and the scanner will automatically scan and save your image based on your settings.



For Mac Users Using ScanPotter

1. Place your material.
 - To scan photos: Place the photo to be scanned face down on the scanner glass surface, as detailed in the “Positioning Reflective Originals” section in this guide.
 - To scan film: Select the film you wish to scan, then position the transparent films on the scanner glass surface, as detailed in the “Positioning Transparent Film” section of this guide.

2. Launch ScanPotter.

Go to the **Finder** of Mac OS, click **Applications** on the Finder sidebar; then double-click **ScanPotter** icon in the Applications folder in your Mac.

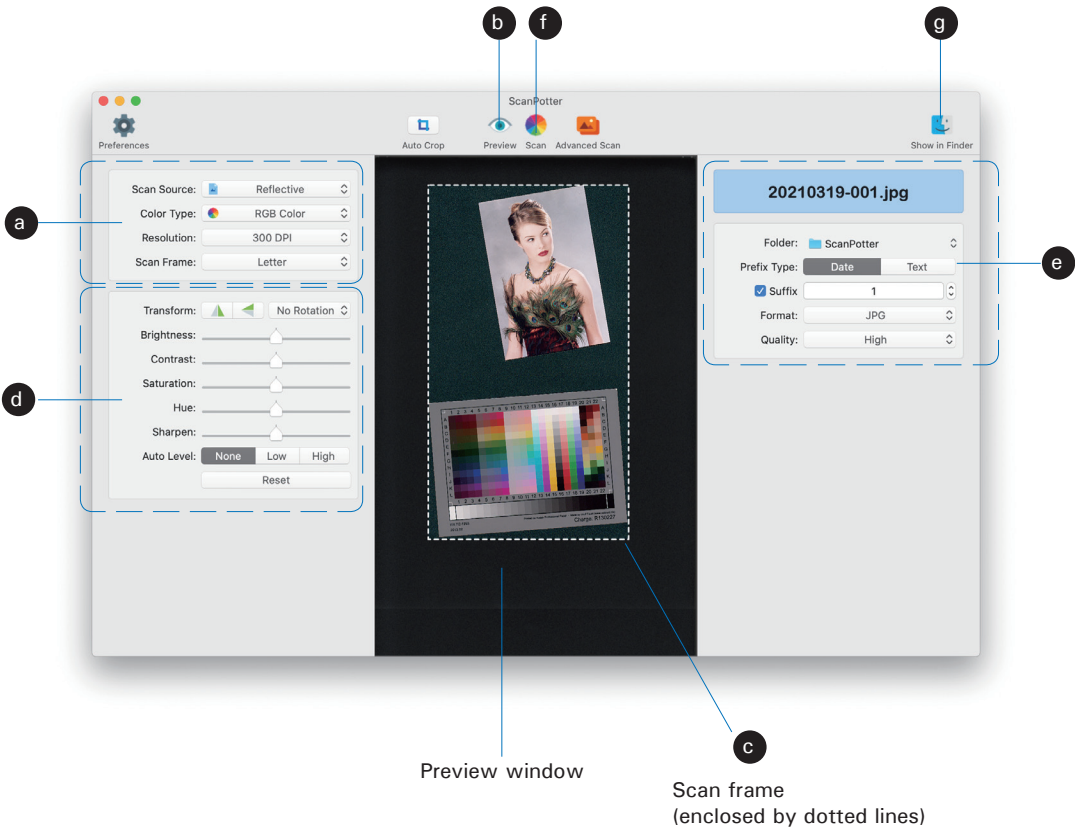
When ScanPotter is launched, you will see the **ScanPotter** menu at the top left portion of your desktop.

3. Scan your material.

- a) Specify your scanning requirements in the **Scan Settings** column.
 - In the **Scan Source** options menu, select either **Reflective** for photos, **Negative** for negatives, or **Positive** for transparencies and slides.
 - Select a desired image output type.
 - Select a desired resolution.
 - Define a scan frame of the scanned image preview.
- b) Click the **Preview** button to perform a preliminary scan of the image in the Preview window.
- c) If necessary, drag a corner of the scan frame (floating dotted rectangle) and to re-frame the area size you want for the final scan.
- d) If necessary, adjust and enhance the image quality by using the image correction tools hereby.
- e) If necessary, specify the file attributes for the scanned image by using the options offered in the **File Saving Settings** column.
- f) Click the **Scan** button to start scanning.

When done, the scanned image will be automatically saved into the folder you assigned.

- g) Click the **Show in Finder** button and then select the scanned image to view from the opened folder.



Preview window

Scan frame
(enclosed by dotted lines)

Using the Microtek Scanner ICC Profiler (MSP)

NOTE: This chapter is only for the PC users who have installed the Microtek's MSP utility, and use the IT8 color targets to generate scanner ICC profiles.

The Microtek Scanner ICC Profiler (MSP) is a scanner calibration and profiling utility program designed exclusively for Microtek scanners. Used together with the color calibration target, the ICC Profiler determines the color attributes of your scanner accurately, then generates an ICC profile tailored exclusively for the scanner that you are using under ScanWizard Pro.

MSP and IT8 Calibration Data Installation

Before installing MSP, ScanWizard Pro needs to be installed on your system. This will ensure that the MSP utility will install and function properly.

To install MSP, take note of the following:

- For PC: Place the **Microtek Software DVD** into a drive, then double click the MSP installer icon. Follow the on-screen instructions to install and you will be prompted to insert the IT8 Calibration Data CD included in your software kit. Insert the **IT8 Calibration Data CD** to ensure that the MSP utility will have the latest color profile targets to reference. Then the MSP installation is complete.

Calibration Target

Two calibration targets (industry-standard IT8 color targets) are included with the optional SilverFast Ai Studio software kit* for calibration: a Reflective target (IT8, size 10 x 15-cm) to calibrate the scanner for scanning photos; a Transparency target (IT8, size 6 x 7-cm) to calibrate the TMA for scanning film.

The calibration targets are very delicate and must be handled carefully. Take note of the following:

- Gently remove targets from their respective protective sleeves and avoid touching the target image surface.
- When not in use, keep targets in their sleeves and keep away from light and heat.

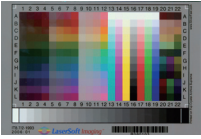
NOTE: To keep the colors in your scanner consistent, you should perform color calibration on a regular basis. Professional photographers, graphic designers or others who require extremely precise color may wish to calibrate the scanner every time it is used.

* SilverFast Ai Studio software kit is either as a standard bundle software or an optional software kit depending on the scanner configuration that you purchased.

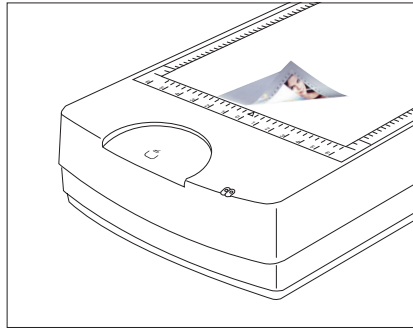
Positioning the Target

Proper positioning of the target on the scanner is important for successful calibration. Incorrect positioning of the target will result in an unsuccessful calibration.

A. Positioning the Reflective Target



1. Place the target face down on the scanner glass surface, making sure that the target is positioned correct side up toward the front of the scanner.
2. Using the U-shaped ruler as a point of reference, adjust the target so that it is positioned at the center of the scanner glass bed.



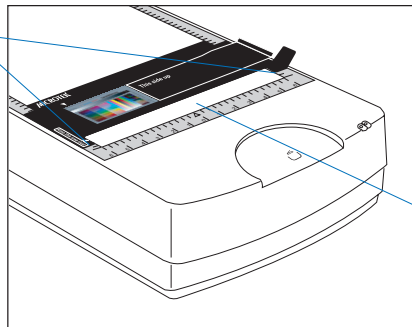
NOTE: To scan the target with the TMA 1600-III, put the Black Plate on top of the target to cover the target and shield unwanted light.

B. Positioning the Transparent Target



1. Load the target face down inside the slot of the 120 Film Template.
2. Place the 120 Film Template with the loaded target on the scanner glass surface, and orient the template with the “Microtek” logo facing up.

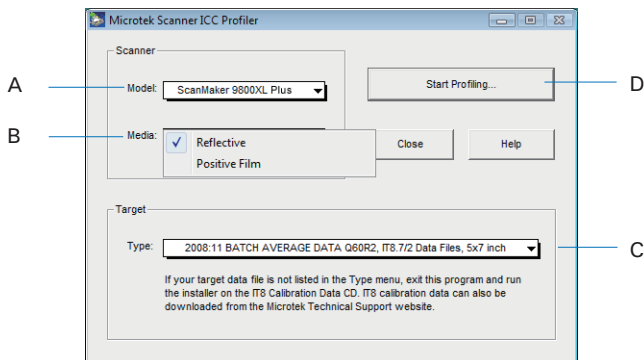
Important: Align the template's front corners firmly against the top corners (left and right) of the U-shaped ruler, located at the front of the scanner.



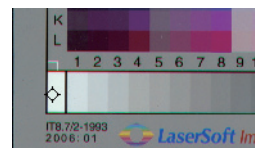
Keep calibration strip clear and free of any obstruction

Calibration Setup

With the target properly positioned on the scanner, turn on your scanner and let it warm up for about five minutes. Launch the MSP program; the MSP main window appears.



- A. Choose the scanner model that you are calibrating.
- B. Choose the correct target media. If you are calibrating the reflective target, select “Reflective”. Otherwise, select “Positive”.
- C. Select the date code and target type (or reference number) from the drop-down list that matches your target. You can verify this information by looking at the left corner of the target’s bottom margin.



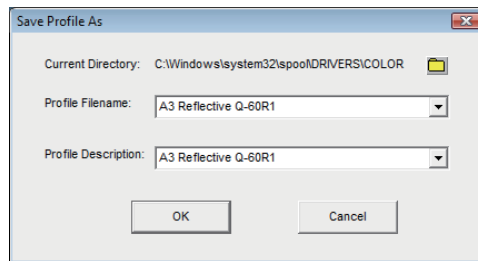
If the desired data file is not present in the drop-down menu, install the IT8 Calibration Data to update the target profiles in your system.

- D. When all the settings are done, click the **Start** (or Start Profiling) button. The calibration window will appear, and an initial preview of the target is performed.

Calibration and Profiling

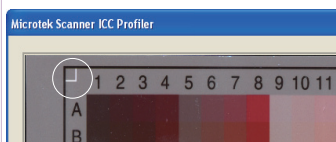
After the Preview, you are now ready to complete calibration and create a profile for your scanner.

1. Scan the target. To do this, select the entire target by dragging a frame over it, and then click the **Next>>** button.
2. Align the registration marks of the target with your cursor (see inset at bottom of page).
3. Click the **Create Profile** (or **Finish**) button to create the scanner ICC profile. At the end of the profiling process, a dialog box appears, prompting you to enter a profile name and description.



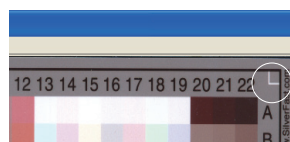
Aligning the Registration Marks

A. Upper-left registration mark



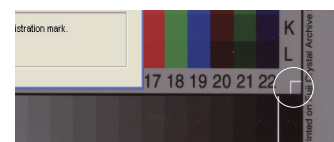
Move the cursor to the target image area; the pointer will change to a horizontally flipped L mark (“⌋”). Align the cursor with the small upper-left registration mark.

B. Upper-right registration mark



After the upper left mark is aligned, the upper right part of the target image is displayed, and an instruction dialog box prompts you to align the upper right registration mark. Move the cursor to the target image area; the pointer will change to a normal L mark (“⌒”). Align the cursor with the small upper-right registration mark.

C. Bottom-right registration mark

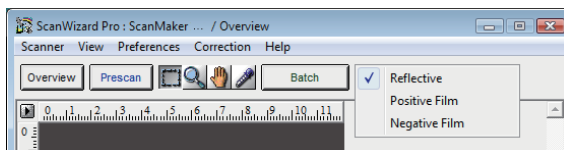


After the upper right mark is aligned, the lower right part of the target image is displayed, and an instruction dialog box prompts you to align the bottom-right registration mark. Move the cursor to the target image area; the pointer will change to a vertically flipped L mark (“⌋”). Align the cursor with the small bottom-right registration mark.

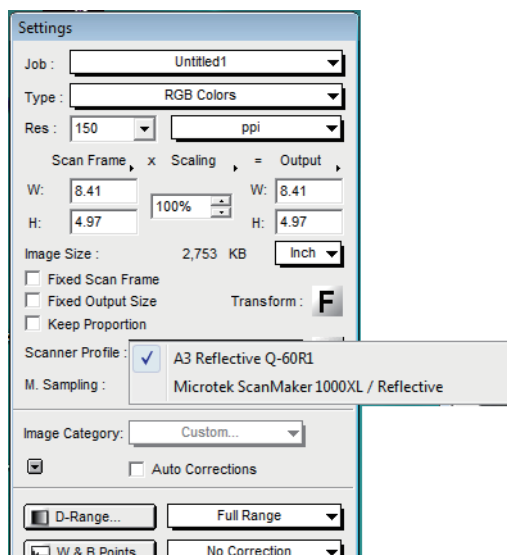
Loading a Profile

Once the profile has been produced, follow the steps below to load the profile you just created.

1. Launch ScanWizard Pro.
2. In the Preview window, click the **Scan Material** icon. Select the “Reflective” option for reflective materials; select the “Positive Film” option for transparencies and slides.



3. From the Settings window, click the **Scanner Profile** list box, and select the profile you have just created.



Specifications

Scanning Modes	Color, grayscale, and black-and-white in a single scanning pass True 48-bit color (approx. 281 billion colors) 16-bit grayscale (approx. 65,536 shades of gray)
Scanning Area	Reflective: 12" x 16.9" (305 mm x 429.26 mm) Transparent: 12" x 16" (305 mm x 405 mm)
Resolution	Optical: 1600 (H) dpi x 3200 (V) dpi
Dynamic Range	3.7 Dmax
Interface	Hi-Speed USB (USB 2.0)
Dimensions (L x W x H)	24.7" x 14.8" x 5.1" (627.5 x 375.9 x 129.5 mm); 24.7" x 14.8" x 7.1" (627.5 x 375.9 x 180.5 mm) (with TMA 1600-III)
Weight	26.4 lbs / 12 kg; 35.4 lbs / 16.1 kg (with TMA 1600-III)
Voltage	AC 100V-240V, 47-63 Hz, 1.5 A max.
Power Consumption	54.9 W max.
Environment	Operating Temperature: 50° F to 104° F (10° C to 40° C) Relative Humidity: 20% to 85%

System Requirements

General Requirements

- DVD-ROM drive (for installing software)
- Color display with 24-bit color output capability
- 512 MB RAM or more

PC and compatibles

- Pentium IV PC or higher with Hi-Speed USB (USB 2.0) port
- Windows 7 / 8 / 10

Mac

- Intel-Based Mac computer with built-in USB port
- macOS 10.15 or later

Important

Specifications, software bundles, and accessories are subject to change without notice. Not responsible for typographic errors.

FCC Compliance Statement

This equipment (Model: MRS-3200A3L) has been tested and found to comply with the limits for a Class B digital device, pursuant to Part 15 of the FCC rules. These limits are designed to provide reasonable protection against harmful interference in a residential installation. This equipment generates, uses and can radiate radio frequency energy and, if not installed and used in accordance with the instructions, may cause harmful interference to radio communications. However, there is no guarantee that interference will not occur in a particular installation. If this equipment does cause harmful interference to radio or television reception, which can be determined by turning the equipment off and on, the user is encouraged to try to correct the interference by one or more of the following measures:

- Reorient or relocate the receiving antenna.
- Increase the separation between the equipment and receiver.
- Connect the equipment into an outlet on a circuit different from that to which the receiver is connected.
- Consult the dealer or an experienced radio/TV technician for help.

NOTE: A shielded Hi-Speed USB interface cable with ferrite core installed on the scanner connector and must be used with this equipment.

Caution: Changes or modifications not expressly approved by the manufacturer responsible for compliance could void the user's authority to operate the equipment.

This device complies with Part 15 of the FCC Rules. Operation is subject to the following two conditions: (1) This device may not cause harmful interference, and (2) this device must accept any interference received, including interference that may cause undesired operation.