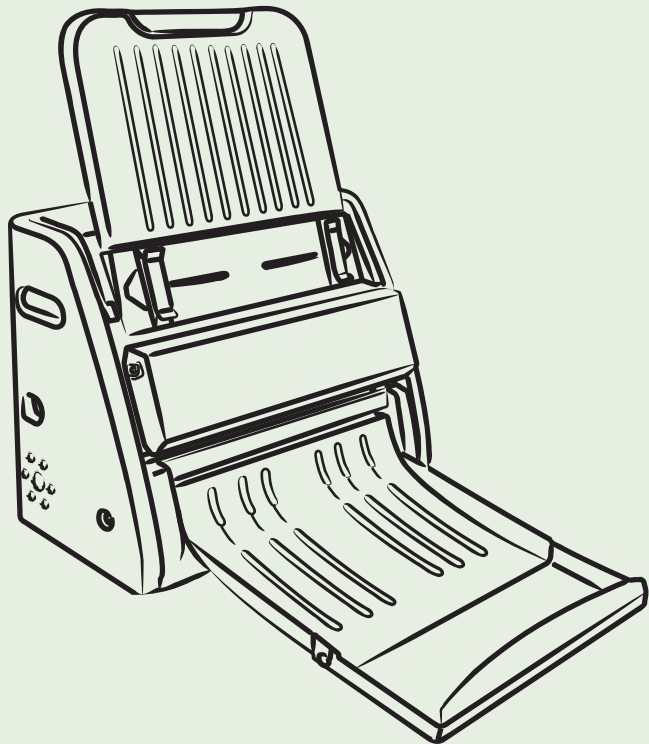


MICROTEK

MI *Medi-7000*

Film Imaging Digitizer
User's Manual



Preface

Copyright

© 2022, Microtek International, Inc., all rights reserved. This document may not be reproduced or copied in any way, stored electronically, or translated into any language, without the permission of Microtek International, Inc.

Trademarks

Microtek, ScanMaker, ArtixScan, ScanWizard and ColoRescue are trademarks or registered trademarks of Microtek International, Inc. All other trademarks or registered trademarks are the property of their respective holders. Specifications, software and hardware bundles are subject to change without notice. Not responsible for typographical errors.

Disclaimer

The contents of this manual have been checked carefully for accuracy, and every effort has been made to ensure that there are no errors. However, Microtek makes no guarantee as to the accuracy of the contents of this document and reserves the right to make changes to the contents without prior warning.

I49-005482, A
January 2022

Microtek International, Inc.
6, Industry East Road 3, Science Based Industrial Park, Hsinchu, Taiwan
Tel: 886-3-5772155, Fax: 886-3-5772598, <https://www.microtek.com>



WEEE Compliance Statement

Microtek International, Inc. operates under full compliance with the WEEE Directive. Among the requirements of the Directive are the marking of any applicable equipment placed in the EU market with the WEEE symbol, a crossed out wheeled bin as shown at left; demonstration of the implementation of a take-back program; and meeting recycling targets.

Safety Precautions

Before using your digitizer, read the following safety guides carefully, which detail the proper operation of the digitizer and its accessories to prevent injuries or damage to users or equipment.

Meanings of Symbol Signs



CAUTION







This indicates hazardous situation which, if not paid attention, could result injury or damage to users or equipment.






WARNING





This indicates hazardous situation which, if not pay attention, could result serious injury or death to users.

Power Supply:




- 
 - Use a power source only with a power rating specified on the marking label.
- 
 - Ensure to turn off the power of each device before connecting or disconnecting the cables.
- 
 - Insert the plug completely into the outlet, as a loose connection may cause arcing and result in fire.
- 
 - Ensure to hold the plug or connector to disconnect the cable; otherwise, if you pull the cable only, it may damage the core wire and result in fire or electric shock.
- 
 - Place and route the power supply cord such that it is not likely to be walked on or pinched by items placed upon or against them, paying particular attention to the cord near the power plugs, convenience receptacles, and at the point where it exits from the outlet.
- 
 - When the digitizer is left unattended and unused for long periods of time, unplug it from the wall outlet.

Moving and Storing the Film Digitizer:





- 
 - Always ensure that the digitizer is stored properly before shipping or moving it. Quick stops, excessive force, and uneven surfaces may cause the product to overturn when moving.
- 
 - Do not hit or drop the digitizer. The digitizer may be damaged if it receives a strong jolt, which may result in fire or electric shock if the digitizer is used without being repaired.
- 
 - Do not place the digitizer on any slippery, slanted, or unstable surface. The product may slide or fall, causing serious injury to people as well as serious damage to the product.

-   • Do not use the digitizer near water. Never spill liquid of any kinds on the product, or it may result in electric shock or other hazards.
-  • This digitizer should be situated away from heat sources such as radiators, heat registers, stoves, or other products (including amplifiers) that produce heat.
-  • Do not store the digitizer in which it may be exposed to direct sunlight.

Using the Digitizer

-  • Before using the digitizer, make sure the area of the front cover is clear from any objects that may cause jams inside.
-   • When using the digitizer, if your hairs have been jammed into the front cover of the digitizer, turn off the power switch immediately. Do not attend to remove your hairs from the front cover when the digitizer is still turned on.

Maintenance and Service:

-  • **When the digitizer is going to be cleaned, ensure to turn off the power of each device and unplug the power cable from the AC outlet.**
-  • When you need a repair service, unplug the digitizer from the power outlet and consult qualified service personnel.
-  • When replacement parts are required, use replacement parts that are specified by the manufacturer or have the same characteristics as the original parts.
-  • For safety reasons, ensure to inspect the device before using it. In addition, carrying out a regular inspection at least once a year.

WARNING

This is Class A Product. In domestic environment this product may cause radio interference in which case the user may be required to take adequate measures.

Table of Contents

Preface	2
Safety Precautions	5
Knowing about Your Film Digitizer	9
Features of the Medi-7000	9
System Requirements	10
Unpacking Your Film Digitizer	11
Looking for Damage	11
Unpacking Package Contents.....	11
Package Contents	14
How to Repack Your Film Digitizer for Shipping.....	15
Taking a Closer Look	17
Front View	17
Rear/Side View	18
Assembling Your Film Digitizer.....	19
Installing the Feed Tray.....	19
Installing the Output Tray.....	20
Installing Your Film Digitizer.....	21
Installing the Software.....	21
Connecting the Film Digitizer	22
To the Power Cord	22
To the Hi-Speed USB Cable	22
Digitizing Your X-ray Film	24
Positioning Your X-ray Film	24
Using ScanWizard Medi	26
Scanning X-ray Films in Auto-Scan Mode	26
A. Scanning with Default Settings.....	26
B. Scanning with Customized Settings.....	28
Scanning X-ray Film in Smart-Scan Mode.....	30

Care and Cleaning	31
Cleaning the Glass Surface.....	31
Cleaning the Diffuser	32
Cleaning the Rollers.....	32
Maintenance	33
Appendix	34
Fixing Film Jams	34
Troubleshooting	35
Specifications	36

Knowing about Your Film Digitizer

The Medi-7000 is a sheet-fed film digitizer that can easily convert X-ray films into digital images for storage and management and makes it convenient to view and share for the professionals. The Medi-7000 can digitize a variety of sizes of X-ray films, up to 14" x 35", and allows to archive them in different file formats as needed. With great imaging capabilities, the Medi-7000 ensures that each scan can capture the details presented in the film and thus offers the great image quality to the professionals.

Features of the Medi-7000

The Medi-7000 comes with several important features, including the following:

- **Premium Image Quality** — With a high optical resolution of 600 dpi, a dynamic range of 4.0 Dmax, and the 16-bit grayscale, the Medi-7000 allows users to get better image details in just seconds.
- **Energy-saving LED light source** — Adopting LEDs as the light source, when the digitizer is detected by the system, there are no requirements for any warm-up time before carrying out the scan, which boots your productivity and reduces energy costs amazingly. With its stable performance, the image quality will remain consistent even after used for a certain period of time.
- **Various sizes of x-ray films** — The Medi-7000 covers various sizes of sheets or x-ray films from 2.5" x 2.5" to 14" x 35", which offers more flexibility to digitize old records or x-ray films.
- **Ultra high scanning speed** — The Medi-7000 increases your productivity with fast scanning speed, which is less than 10 seconds at 300 dpi for grayscale scans.
- **Hi-Speed USB (USB 2.0) port** — Hi-Speed USB (USB 2.0) is capable of high data transfer rates of up to 480 Mbit/sec.
- **Easy to operate, clean and maintain** — The Medi-7000 requires virtually no routine maintenance and no daily cleaning, which is ideal for busy radiology departments.
- **Microtek ScanWizard Medi software** — The friendly user interface of ScanWizard Medi stores x-ray pictures in a computer readable format, offering an easy and quick access and management.
 - **Auto scan:** With this feature, the Medi-7000 automatically performs a scan job once when it detects a X-ray film put on the Feed Tray. No matter a novice or an expert can start scanning immediately.
 - **Auto crop:** This feature automatically detects the size of the original image, crops the full scan frame to fit the image, and removes unwanted black borders.

- Auto density: This feature enables the digitizer to optimize the image density automatically when scanning a X-ray film. It automatically defines the lightest and darkest pixels in a scanned image and then redistribute the intermediate pixel values proportionately.
- Customized exposure: This manual setting tool allows you to customize an exposure time for the scanned image. It enhances the visibility of extreme dark film, delivering a better scanning result and improving the quality of scanned files.

System Requirements

In order to use your Medi-7000, your computer must satisfy the following system requirements:

- CD-ROM drive (for installing software)
- Color display with 24-bit color output capability
- 512 MB RAM or above
- Pentium IV PC or higher with Hi-Speed USB (USB 2.0) port
- Microsoft Windows 7, 8 or 10

Unpacking Your Film Digitizer

Looking for Damage

While unpacking your digitizer, inspect the shipping carton for any signs of mishandling or damage. The digitizer's packing carton and padding material have been carefully chosen to prevent damage to the unit in shipping and can withstand a reasonable amount of pressure.

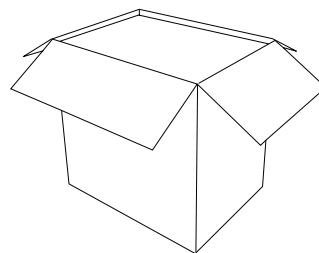
After unpacking your digitizer package, refer to the later section to ensure that you received all of the parts necessary for digitizer setup. If there are any damaged or missing parts, notify the shipper immediately or contact customer service.

NOTE: Save the carton and all packing materials. If you need to ship the digitizer later, it is recommended that you should repack it using the original wire ties, plastic bags, foam supports and cartons, which protects your digitizer from unnecessary damage. Refer to the later section "How to Repack Your Film Digitizer for Shipping" for the detail.

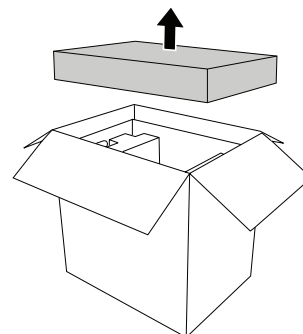
Unpacking Package Contents

After unpacking the shipping carton, follow the steps shown below to take out your digitizer and other accessory components.

1. Ensure that you put your shipping carton toward the right direction. Then, open the shipping carton.

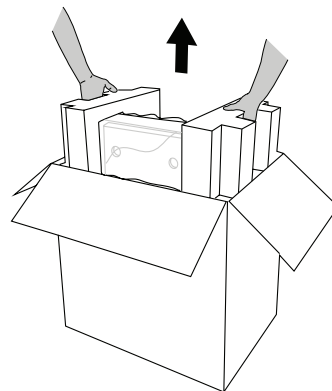


2. Remove the accessory box at the top of the foam supports out from the shipping carton.

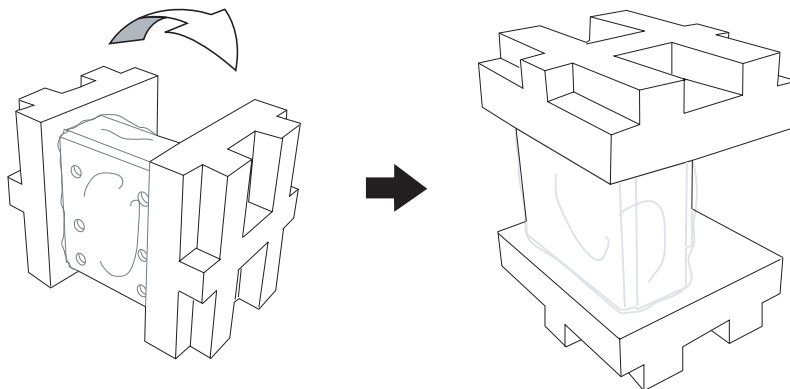


3. With both hands, hold the two sides of foam supports at top and then lift the whole digitizer package out from the carton firmly. Before putting down the package on a steady surface, do not go off either of hands from holding the foam supports.

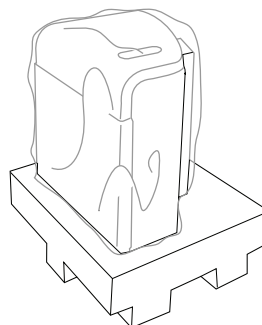
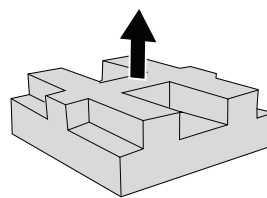
Note: The package of the contents is considering heavy (about 57 pounds). Due to the heavy weight of the package (about 57 pounds), it is strongly recommended that there are at least two people to help moving the digitizer package out from the shipping carton.



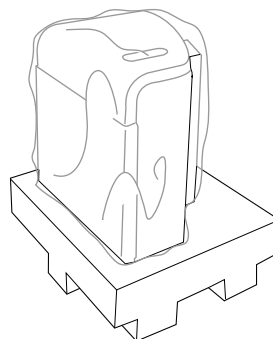
4. Turn over the foam supports and make the digitizer package stand vertically.



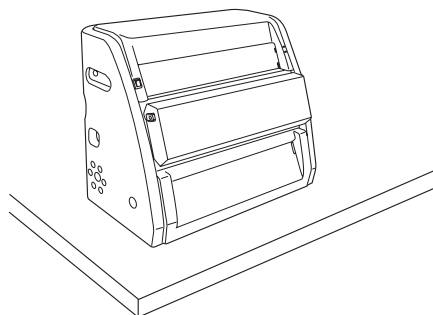
5. Lift up the upper foam support.



6. Pull out the digitizer from the bottom foam support.

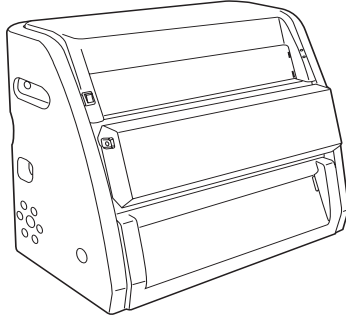


7. Take the digitizer out from the wrapped plastic bag and then place it on a clean and flat surface.

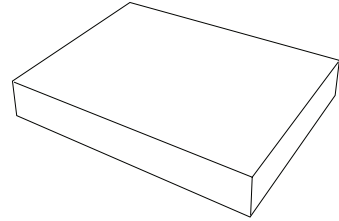


Package Contents

After you have unpacked your digitizer package, please check for the major components listed below.

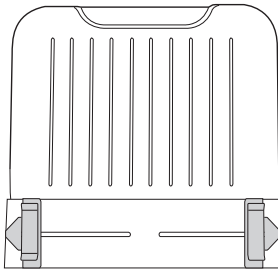


Medi-7000 Film Digitizer
(I41-016549)

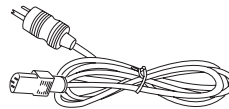


Accessory Box

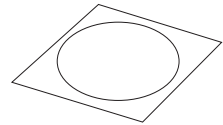
Accessory Box (PN: I37-007816)



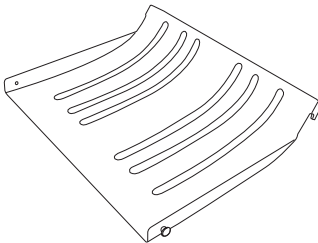
Feed Tray
(PN: 215-01-500304)



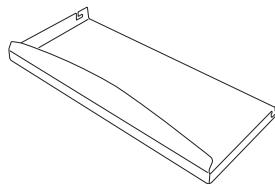
Power Cord
(PN/EU: 121-46-032007)
(PN/US: 121-46-500000)
(PN/TWN: 121-46-570001)



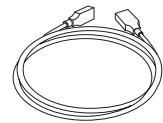
CD
(PN: I41-016518)



Output Tray (Main part)
(PN: 215-01-500306)



Extension part of Output Tray
(PN: 215-01-500307)

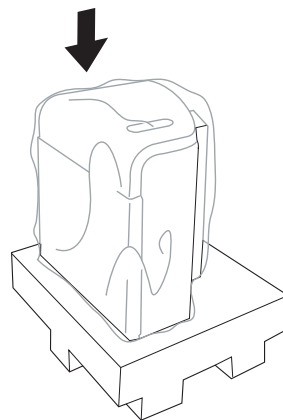


Hi-Speed USB Cable
(PN: 121-44-150040)

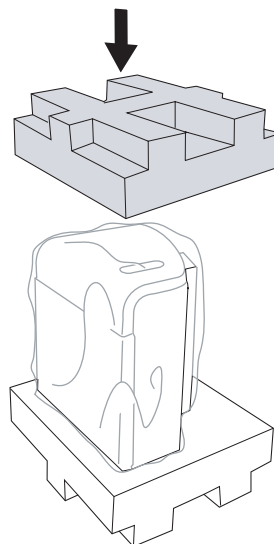
How to Repack Your Film Digitizer for Shipping

To ship back your Medi-7000 for repairing, maintenance services, or other reasons, in order not to damage your Medi-7000, it is strongly recommended that using the original carton and packing materials. Follow the steps below to repack your Medi-7000 correctly.

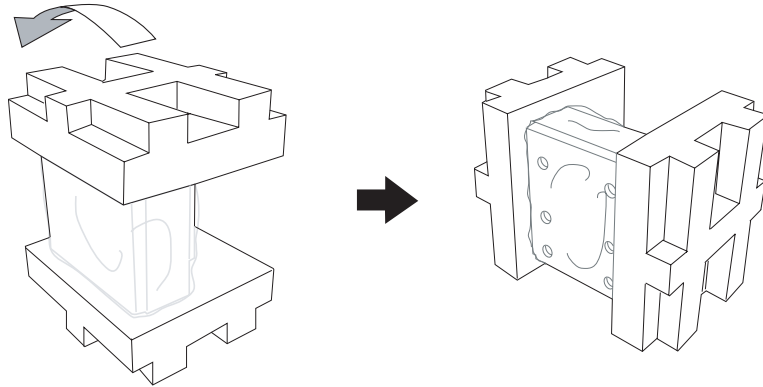
1. First, wrap the digitizer with the plastic bag, and then insert it into one foam support.



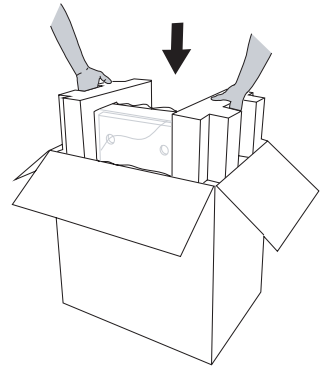
2. Cover down the other foam support on the top of the digitizer.



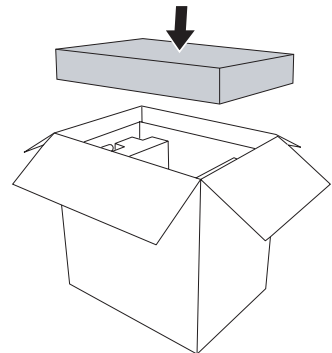
3. Turn over the foam supports and make the digitizer package stand horizontally.



4. With both hands, hold the two sides of accessory box at top and then lift up the whole digitizer package firmly and then insert them into the shipping carton.

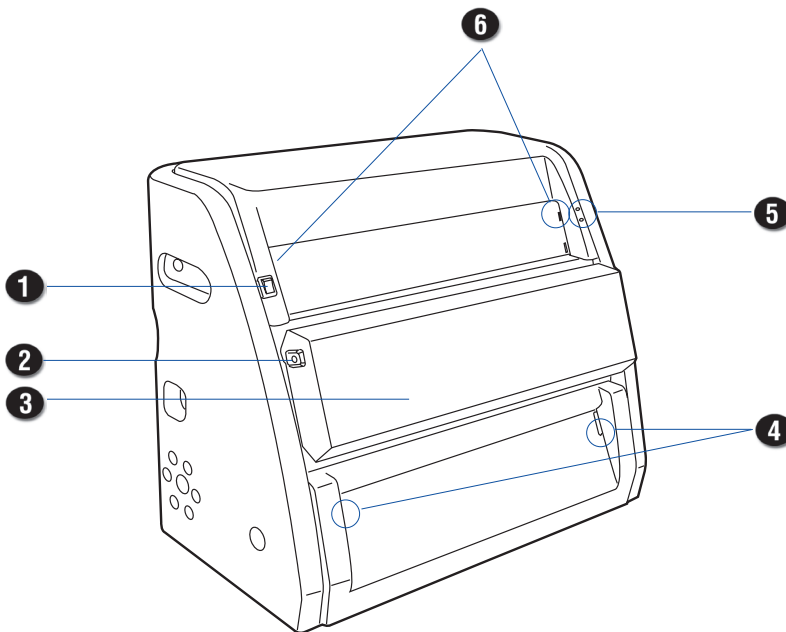


5. Put back the accessory box at the top of the foam supports. Finally, close the shipping carton and seal it with tape.



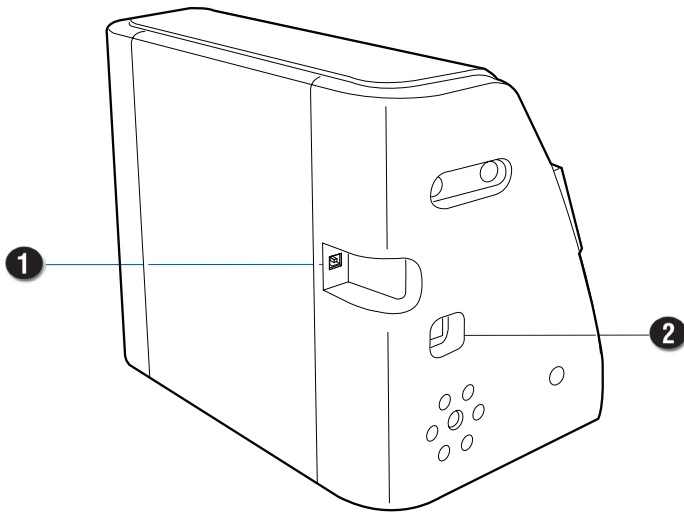
Taking a Closer Look

Front View



No.	Names of Parts	Functions of Parts
1	Power Switch	Turns the digitizer on or off.
2	Release Buttons	Releases the front cover to open the lamp holder. There are two Release buttons located on each side of the front cover. Press the buttons down simultaneously to release the front cover.
3	Front Cover	Uses to cover inner components of the digitizer.
4	Output Tray Holes	Uses to hook the Output Tray onto the digitizer.
5	Green/Orange LEDs	Indicates the status of the digitizer. For more details, refer to the "Troubleshooting" section of this manual.
6	Feed Tray Holes	Uses to hook the Feed Tray onto the digitizer.

Rear/Side View



No.	Names of Parts	Functions of Parts
1	Hi-Speed USB Port	Connects the Hi-Speed USB (USB 2.0) cable to the computer.
2	Power Connector	Connects the digitizer to the power cord.

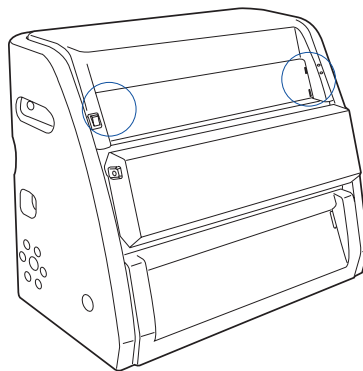
Assembling Your Film Digitizer

Installing the Feed Tray

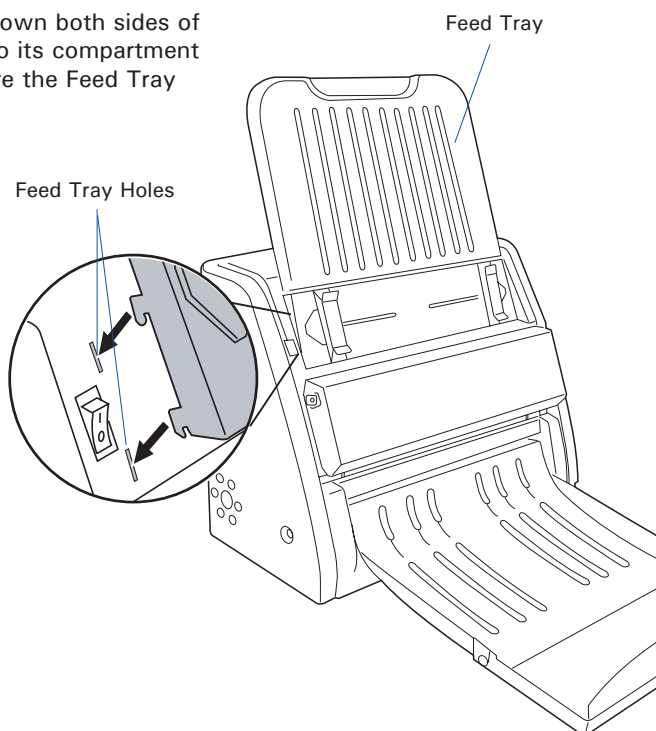
Coming with your digitizer, there is a separated Feed Tray which holds the X-ray film to be fed into the digitizer. Before using the Feed Tray with your digitizer, you need to assembly it onto the digitizer.

Follow the instructions and graphs below to correctly install the Feed Tray.

1. Look for two sets of the Feed Tray Holes at both ends of the front-top of the digitizer.



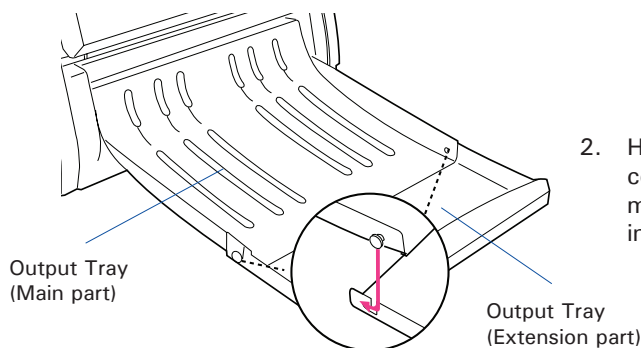
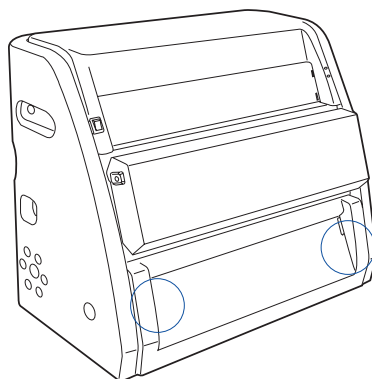
2. Insert and push down both sides of the Feed Tray into its compartment holes, making sure the Feed Tray snaps into place.



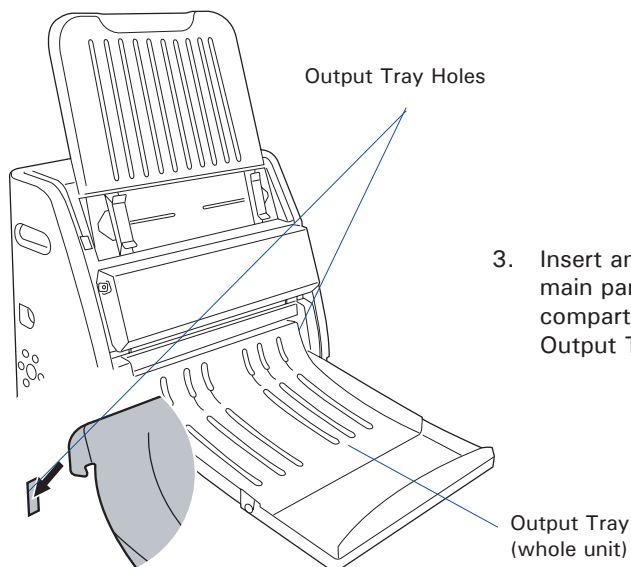
Installing the Output Tray

Coming with your digitizer, there is a separated Output Tray which stores the stacked X-ray films which have been digitized. The Output Tray is divided into two parts: the main part and the extension part. You have to combine two parts together before using in order to get the best result working with the digitizer.

1. Look for two sets of Output Tray Holes at both ends of the front-bottom of the digitizer.



2. Hang the extension part onto the compartment holes of the Output Tray, making sure the extension part snaps into place.



3. Insert and push down both sides of the main part of the Output Tray into its compartment holes, making sure the Output Tray snaps into place.

Installing Your Film Digitizer

Installing the Software

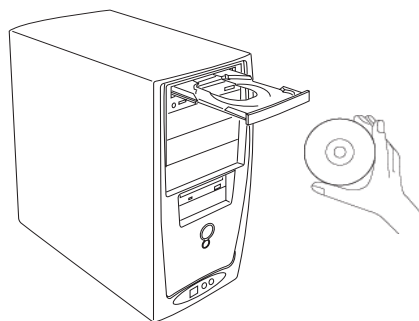
Important: You must install software before connecting your digitizer.

Always close any open programs, and turn off Anti-virus utilities before installing software.

1. Turn on your computer.
2. Place the Microtek CD into your CD-ROM drive.
3. Follow the on-screen instructions to install the driver and software.

NOTE: If the Microtek Software Installer screen does not come up automatically, double-click the following in succession: "My Computer"; the CD-ROM icon; then `cdsetup.exe` to start the installer program.

4. Click EXIT on the Microtek Software Installer screen when all the software have been installed.
5. Restart your compute.



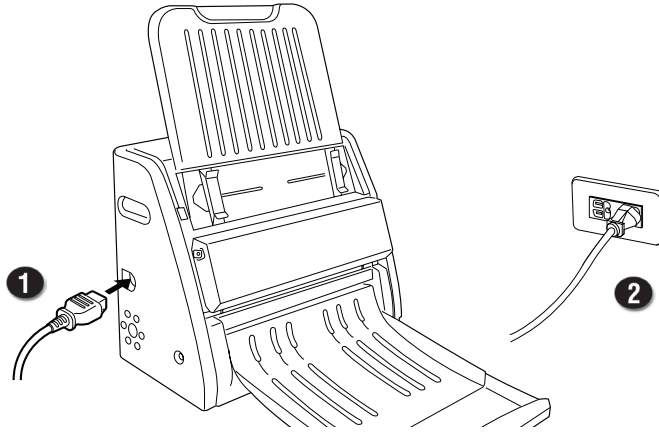
Drivers & Software Upgrades

After you finish the installation of software, if you found that the installed drivers and software cannot run your product or your computer system properly later, please go to the Microtek Download Service site at microtek.com/en/download to download and install any updates you may require. For additional information about Microtek products, please visit our website at www.microtek.com.

Connecting the Film Digitizer

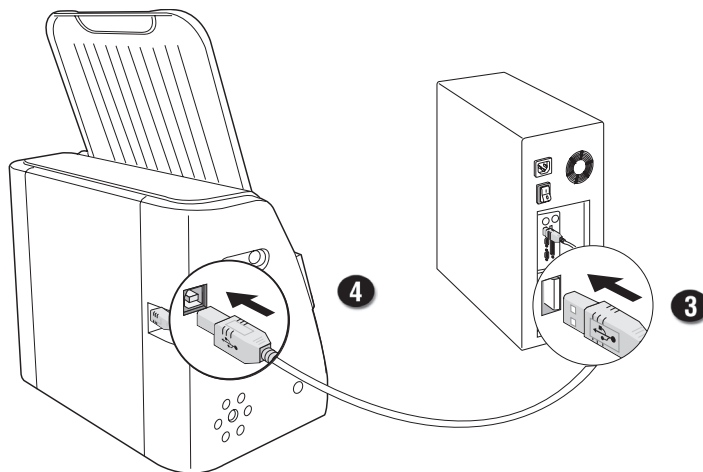
To the Power Cord

1. Connect the power cord to the left side of the digitizer.
2. Plug one end of the power cord into a wall outlet or other power source.

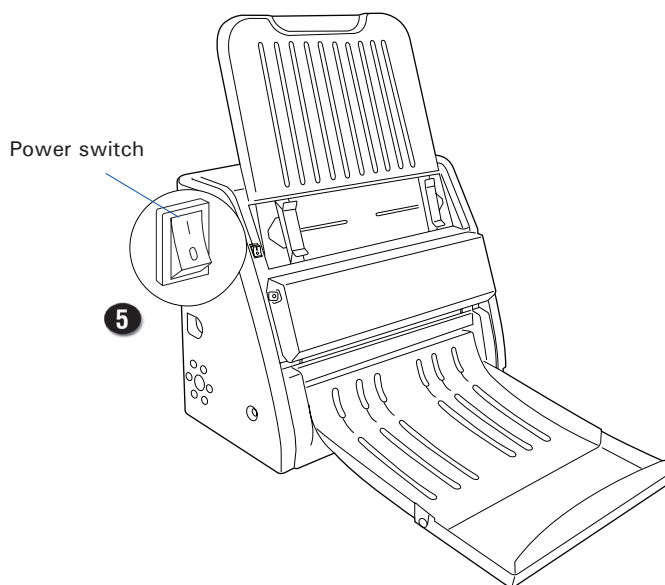


To the Hi-Speed USB Cable

3. Connect one end of the Hi-Speed USB cable to your computer.
4. Connect the other end of the Hi-Speed cable to the digitizer's USB port, locating at the left side of the digitizer



5. Turn the power switch at the front-left panel of the digitizer to "On"; once the scanner is detected by your system, the LED lights on the front panel will brighten, and the digitizer is ready to scan.



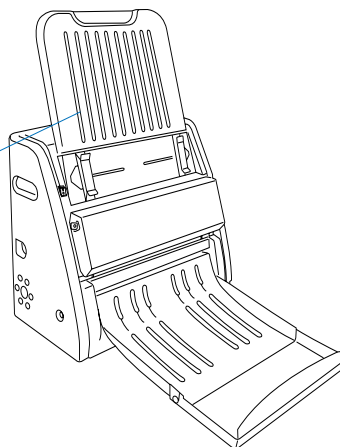
Digitizing Your X-ray Film

Positioning Your X-ray Film

Medi-7000's Feed Tray can hold only one piece of X-ray film at a time. This section shows you how to position a single-sheet of X-ray film into the feed tray.

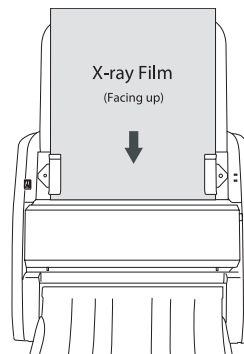
1. Install the Feed Tray onto your digitizer before using it. Refer to the front sections "Installing the Feed Tray" for the detail.

Feed Tray



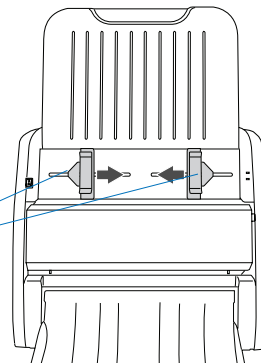
2. Load and insert the film into the Feed Tray, with the side to be scanned facing up and with the top of the film directing upwardly.

Push the film into the tray until the edge of it touches the bottom edge of the Feed Tray.



3. Align the film with the center of the Feed Tray by sliding the two Guide Arms toward the film if the width of the film is less than 14 inches.

Guide Arms



Note: There are several precautions and reminders about using the digitizer correctly. Please refer to the section as below for the detail.

- The Feed Tray can handle X-ray films of the following sizes:
 - Width: 2.5" to 14" (63.5 to 355.6 mm)
 - Length: 2.5" to 35" (63.5 to 889 mm)
 - Sheet Feed: Single sheet per time
- If the film are torn, curled, or wrinkled, do not put them into the Feed Tray to scan, because they may cause film jams.
- Remove clips or staples before placing the film into the Feed Tray. DO NOT use the digitizer to scan your X-ray film with clips or staples because they may cause film jams or damage the digitizer.

Using ScanWizard Medi

The ScanWizard Medi is a scanning software designed for the use of the X-ray film scanning. Its easy and user-friendly interface enables you to easily start the scanning process. Refer to the ScanWizard Medi software manual for more details.

The following sections will show you how to scan a X-ray film by using the Medi-7000 with ScanWizard Medi step by step.

Warning: Do not place more than one piece of X-ray film on the Feed Tray, for doing so will damage the original film during the feeding process.

Scanning X-ray Films in Auto-Scan Mode

The Auto-Scan mode is the default scanning mode after the ScanWizrd Medi is launched at the first time, enabling the Medi-7000 detect the X-ray film on the Feed Tray automatically and then perform a smart scan directly. The Auto-Scan mode is always displayed on the screen unless you switch the scanning mode to the Smart-Scan mode.

To scan X-ray films in Auto-Scan mode, using one of the following methods:

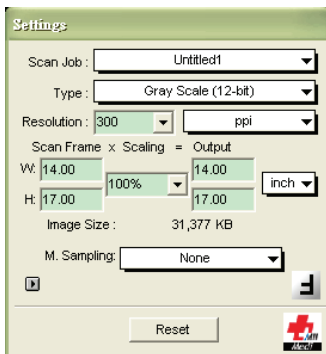
A. Scanning with Default Settings

If this method is selected, a scan job will be carried out automatically with factory default settings.

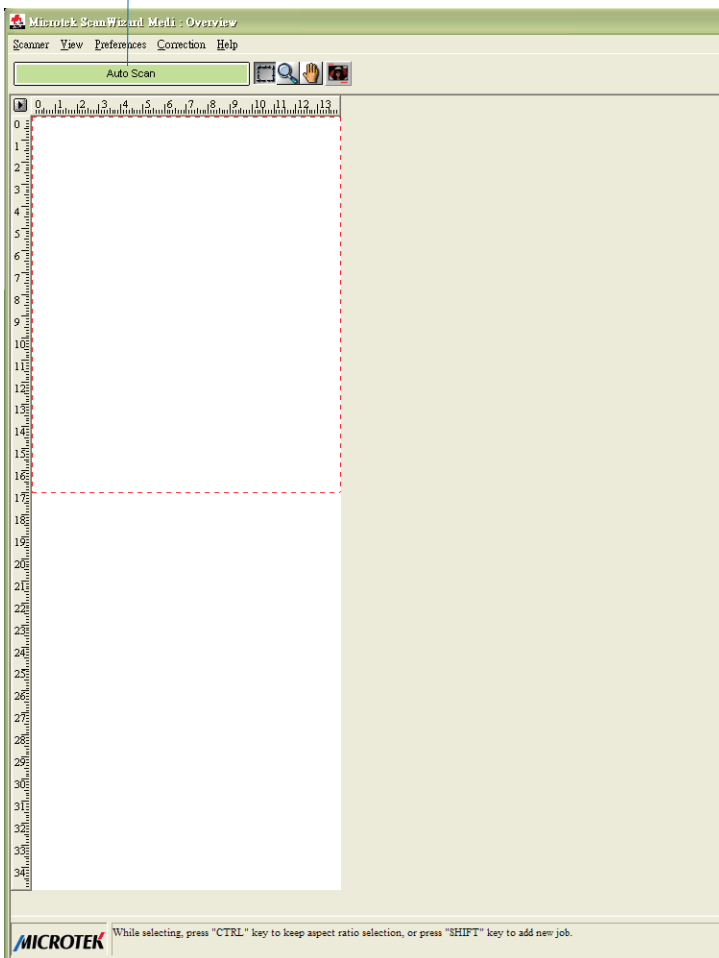
1. Launch ScanWizard Medi (either as a stand-alone by clicking the program icon on the desktop, or by using the "File-Import" or "Scan" command from an application program).
2. Load the film to be scanned onto the Feed Tray. When the film is detected by the digitizer, the ScanWizard Medi will automatically recognize, auto-crop, and perform a scan of the film and save it in your preferred folder or application.
 - If ScanWizard Medi is launched as a stand-alone program, the scanned image can be saved to a file or opened in an image-editing program.

To view the saved image, you can double-click the "MSmart Images" icon on the desktop; or, you can retrieve it from your preferred folder.
 - If ScanWizard Medi is launched as a Plug-In from an image-editing program, the scanned image is delivered to your application, where the image can be saved, printed, or modified further.

Auto-Scan mode



Settings window



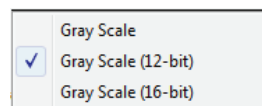
Preview window

B. Scanning with Custom Settings

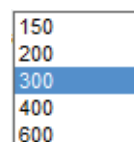
If this method is selected, a scan job will be carried out automatically with customized settings. These customized settings can be adjusted or selected in the Settings window.


1. Launch ScanWizard Medi (either as a stand-alone by clicking the program icon on the desktop, or by using the "File-Import" or "Scan" command from an application program).

2. Select your image output type as Gray Scale, Gray Scale (12-bit), or Gray Scale (16-bit) from the Type drop-down menu.



3. Select your desired image output resolution in the Resolution drop-down menu. The recommended resolution is 300 dpi or above.



4. Specify your scan frame to meet your X-ray film size by using the Scan Frame tool () button in the Preview window, and then resize the size of the scan frame by dragging on the edge or corner of the scan frame.
5. If necessary, use the Window Expansion button to enable the image correction tools to adjust image quality.

For example,

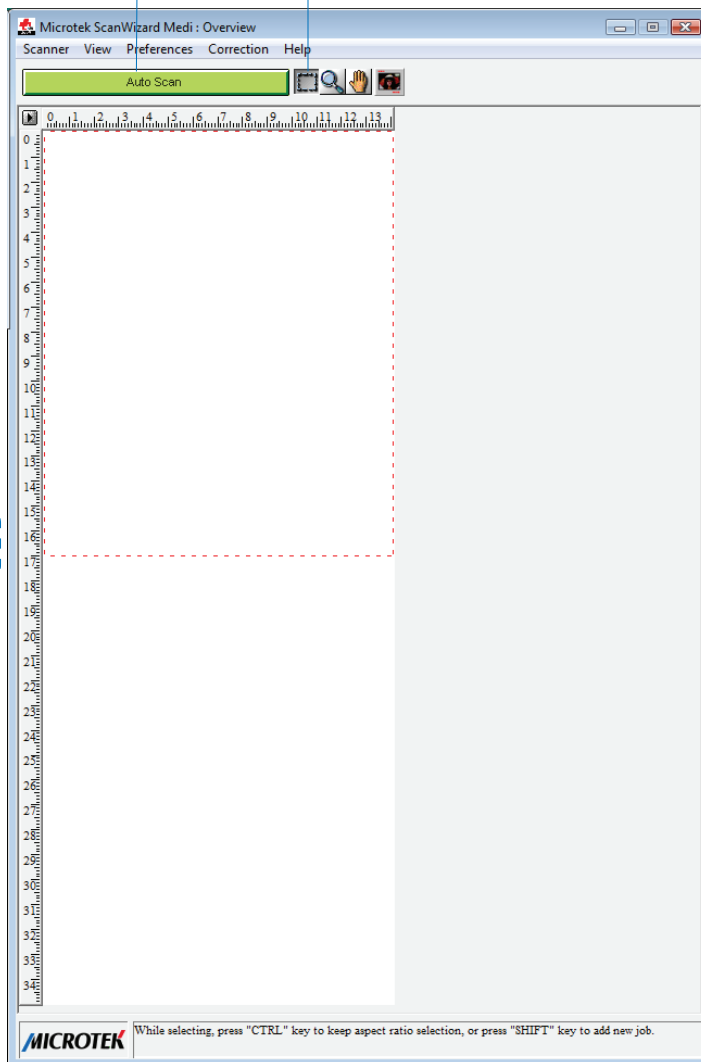
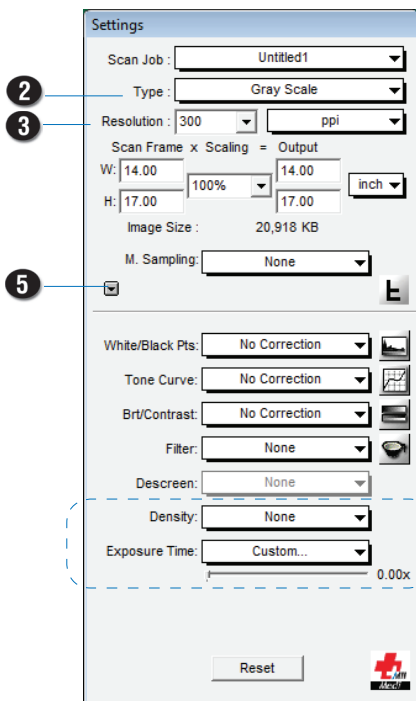
- Enable auto density function from the Density drop-down menu.
- Specify a customized Exposure Time in the Exposure Time drop-down menu.



6. Load the film to be scanned onto the Feed Tray and the digitizer will start scanning automatically.

After loading the film, the digitizer starts to detect for the film automatically. Once the film is detected, the ScanWizard Medi will automatically recognize, auto-crop, and perform a scan of the film and save it in your preferred folder or application.

Auto-Scan mode

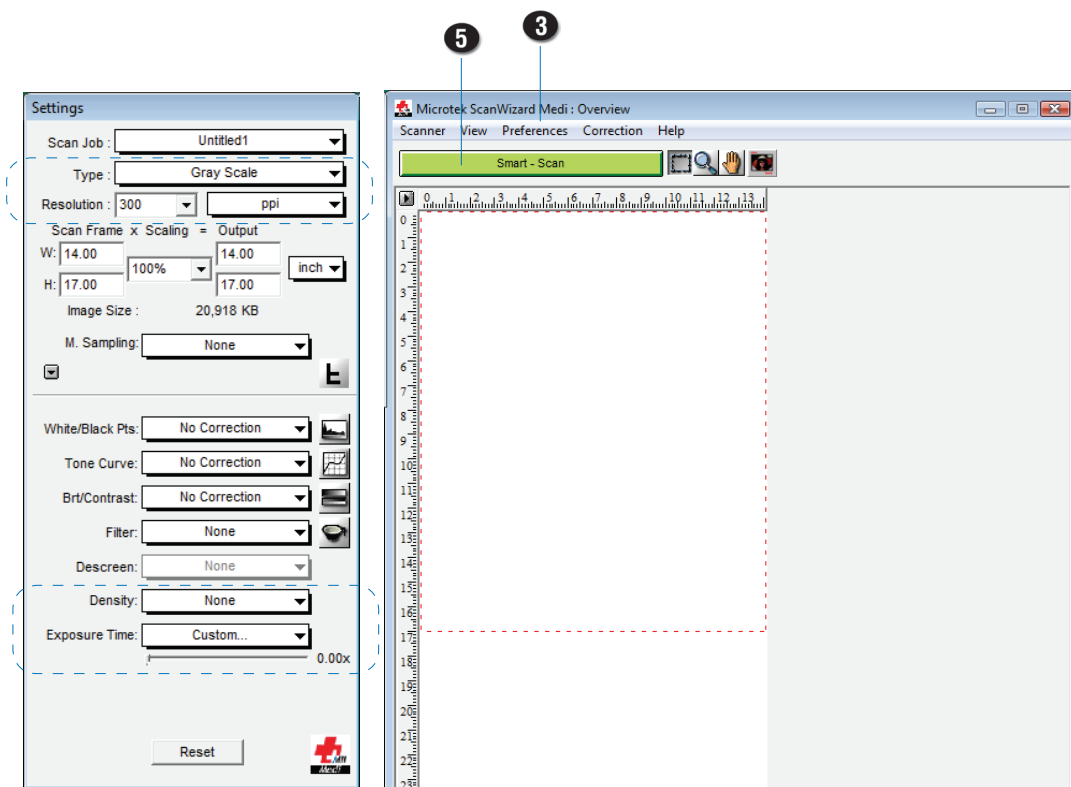


Scanning X-ray Films in Smart-Scan Mode

If Smart-Scan Mode is activate, the digitizer will start a scanning process only when you press the Smart-Scan button.

1. Load the film to be scanned onto the Feed Tray.
2. Launch ScanWizard Medi (either as a stand-alone by clicking the program icon on the desktop, or by using the "File-Import" or "Scan" command from an application program).
3. To activate Smart-Scan mode, choose the More ... command in the Preferences menu and then uncheck the Auto Scan option in the "More Preferences" dialog box .
4. Follow the procedures (steps 2 through 5) for "Scanning with Customized Settings" in the previous section to specify your scanning requirements.
5. Click the Smart-Scan button to start scanning.

With this button applied, the ScanWizard Medi can automatically detect, auto-crop, and perform a scan of the film and save it in your preferred folder or application.



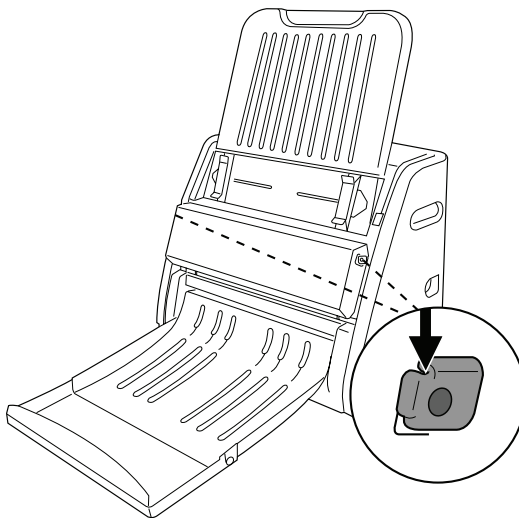
Care and Cleaning

To ensure optimal performance from the Medi-7000, it is important to clean several critical parts of the digitizer on a regular basis.

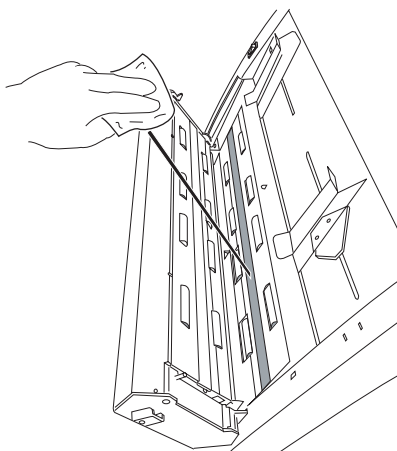
Cleaning the Glass Surface

1. Push down two Release buttons at both sides of the front cover of the digitizer and open the front cover.

When opening the front cover, support the both sides of the front cover with your hands, avoiding suddenly falling down of the front cover.



2. Using a soft and non-abrasive, lint-free cloth, clean the inner glass surface on the digitizer.



Cleaning the Diffuser

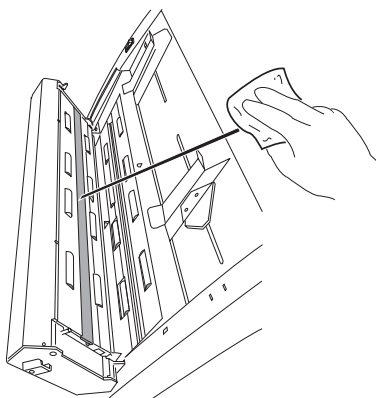
The diffuser is used when you scan a X-ray film or transparent material. The cleanness of the diffuser decides whether your digitizer may deal with the right lightness of scanned transparent materials.

To clean the diffuser:

1. Push down two buttons at both sides of the front cover of the digitizer and open the front cover.

When opening the front cover, support the both sides of the front cover with your hands, avoiding suddenly falling down of the front cover.

2. Use the same kind of cloth for cleaning the digitizer glass surface to clean the white diffuser located at the middle of the front cover.



Cleaning the Rollers

Prolonged used of the digitizer may result in accumulation of ink and other residue on the feeder's rollers, affecting their efficiency. Clean the rollers periodically to maintain performance.

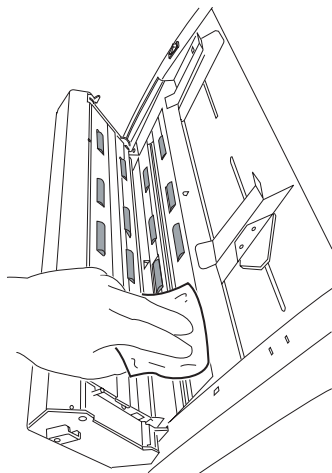
Rollers are found in two areas of the Medi-7000: Directly on the digitizer, and on the side of the front cover.

To clean the two sets of rollers:

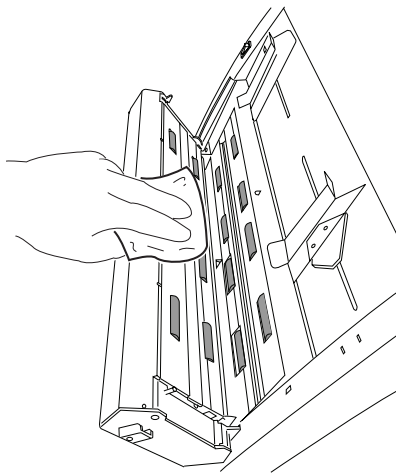
1. Push down two buttons at both sides of the front cover of the digitizer and open the front cover.

When opening the front cover, support the both sides of the front cover with your hands, avoiding suddenly falling down of the front cover.

2. Clean the rollers with a lint-free cloth or a swab moistened with alcohol or ECO cleaner, as shown in the graphic below. Remember to clean the rollers on the digitizer and the front cover at the same time.



Rollers on the digitizer



Rollers on the front cover
of the digitizer

Maintenance

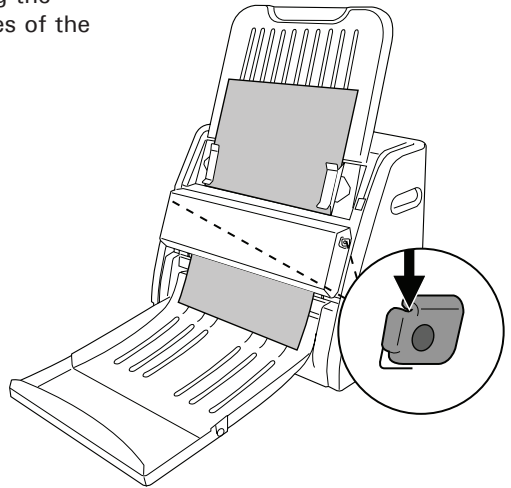
After usage for a period of time, the parts inside your digitizer, such as rollers or light source, may become worn out, and a problem such as insufficient light supply may occur. In this cases, contact your local dealers or wholesales for the maintenance services.

Note: Your digitizer need a professional to perform the required service or maintenance. Do not attend to fix or perform the maintenance by yourself, or it may cause dangers to you or the digitizer.

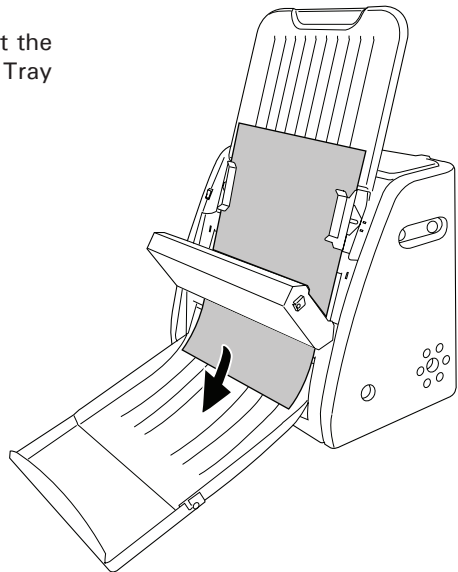
Appendix

Fixing Film Jams

1. Open the front cover by pressing the Release buttons on the both sides of the front cover.







2. After opening the front cover, let the jammed film fall into the Output Tray and then remove it.

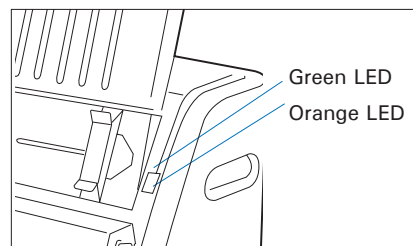


Note: To remove the jammed film from the digitizer, you have to open the front cover first. Otherwise, your film may be damaged if they are forcedly removed.

Troubleshooting

The LEDs on the front-right panel of the digitizer indicate the status of the digitizer.

	All Off - Digitizer is off
	Flashing Orange - Starting up the scanning
	Orange off - Scanning
	All On - Ready to scan



First, make sure that you have followed steps as described in the “Assembling Your Film Digitizer” section of this document. Then if your problem is listed here, try the suggested solution.

- 1. No light comes on when the digitizer is turned on.**
Make sure your digitizer is connected to your computer and plugged into a power source.
- 2. The Add/Remove Hardware Wizard appears on your screen.**
Click the “Cancel” button and close the ScanWizard Medi scanning software. Disconnect the Hi-Speed USB cable from your computer, and refer to the installation instructions in this document.
- 3. When trying to scan, an error message appears on your screen that reads, “Can’t Find Scanners”.**
Make sure your digitizer is connected to your computer and plugged in to a power source (see “Connecting the Digitizer” in the “Assembling Your Film Digitizer” section).

Uninstall and reinstall the ScanWizard Medi software.
- 4. After clicking “Scan,” a blank screen appears.**
Uninstall and reinstall the ScanWizard Medi software.
- 5. When trying to scan, an error message appears on your screen that reads, “Code -204, Scanning lamp or image sensor circuit failure. Please don't select fast preview or draft scan!”**

This error message appears when the luminance of lamps is insufficient or surpassed.

Click OK first; then contact the professional technician for the further help.

Specifications

Model Number	MSS-600XU2LT
Type	Sheetfed film digitizer
Light Source	LED (Light Emitting Diode)
Scanning modes	Grayscale in a single scanning pass Input: 8-bit grayscale (Approx. 256 shades of gray) 16-bit grayscale (Approx. 65,536 shades of gray) Output: 8-bit grayscale (Approx. 256 shades of gray) 12-bit grayscale (Approx. 4,096 shades of gray) 16-bit grayscale (Approx. 65,536 shades of gray)
Resolution	600 dpi
Scanning area	14" x 35" (355.6 mm x 889 mm)
Film size	Min: 2.5" x 2.5" (63.5 mm x 63.5 mm) Max: 14" x 35" (355.6 mm x 889 mm)
Lamp Life	1,000,000 scans at 300 dpi
Product Life Cycle	100,000 scans or 5 years
Interface	Hi-Speed USB (USB 2.0)
Dimensions (L x W x H)	12.1" x 18.7" x 9.3" (306 mm x 474 mm x 235 mm)
Weight	38.5 lbs. (17.5 kg)
Voltage	AC 100V to 240V, 47-63 Hz 1.5A Max (Input)
Power consumption	54.9 W (Max)
Environment	Operating temperature: 50° to 104°F (10° to 40°C) Relative humidity: 20% to 85% Storage temperature: 14° to 140°F (-10° to 60°C) Relative humidity: 20% to 95% Atmosphere pressure: 70-101.3 kPa (700-1013 hPa) Altitude: < = 2000 m

Important

Specifications, software bundles, and accessories are subject to change without notice.
Not responsible for typographic errors.