

Supplement

ScanMaker i450 features, scenarios, and information



Getting to Know Your ScanMaker i450

The ScanMaker i450 high-performance scanner with the versatility to scan photos and film. Features include 48-bit color, resolution of 4800 dpi, scan bed size of 8.5" x 11.7", and seven Smart-Touch buttons on the front panel for easy access to scanner functions. The ScanMaker i450 has a built-in transparency adapter for scanning film and transparencies up to 1.77" x 10". Also featured is ColoRescue™ -- Microtek's one-touch color restoration to revive faded color in both photos and film.

Contents

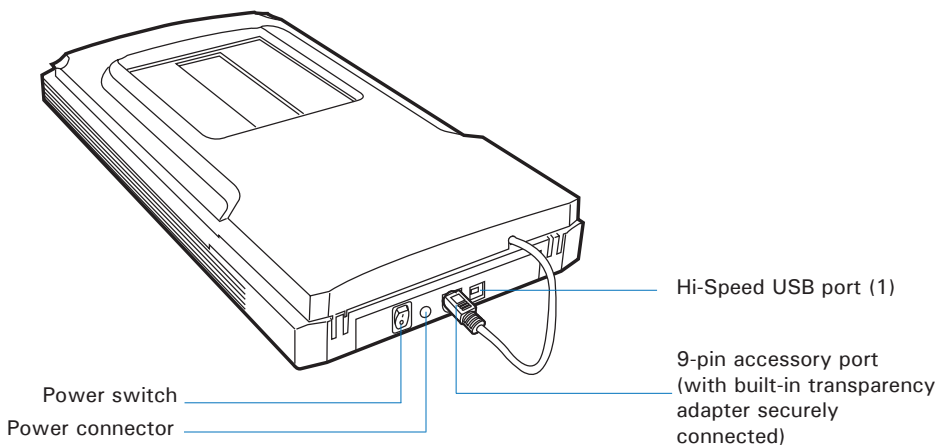
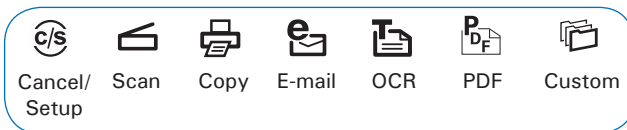
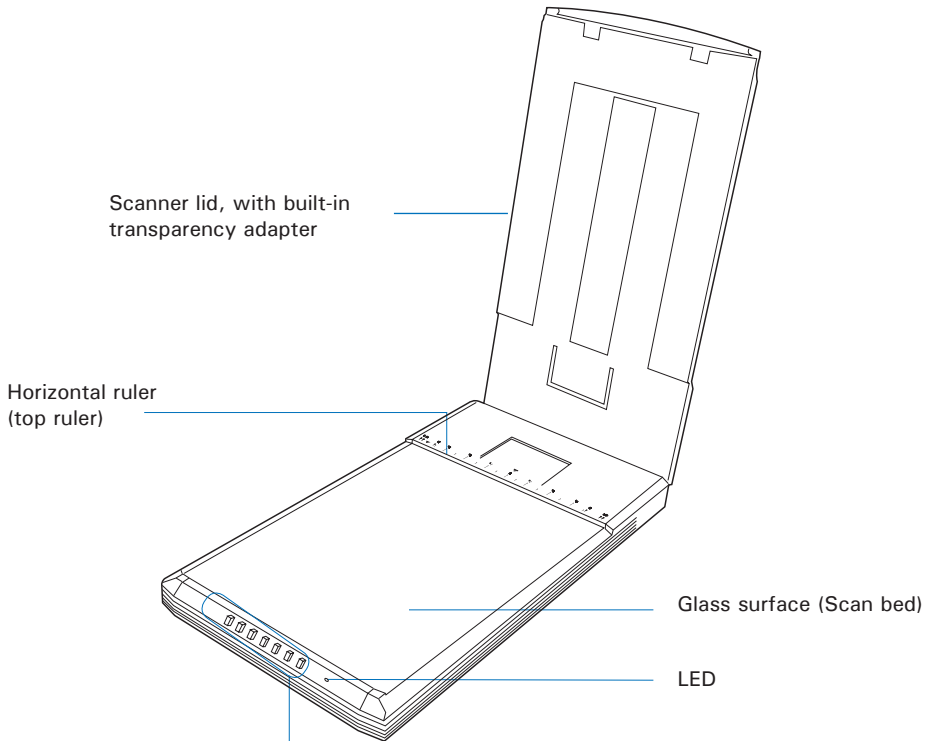
Getting to Know Your ScanMaker i450.....	1	For PC Users Using ScanWizard EZ.....	11
Features of the ScanMaker i450.....	2	A. Scanning Photos (1).....	11
Taking a Closer Look.....	3	B. Scanning Photos (2).....	12
How the Smart-Touch Scanner Buttons Work.....	4	C. Scanning Photos (3).....	14
Positioning Your Originals.....	6	D. Scanning Film (1).....	16
Positioning Reflective Originals.....	6	E. Scanning Film (2).....	18
Positioning Transparent Film.....	7	For Mac Users Using ScanPotter.....	20
A. Using the Film Holder to scan 35mm Filmstrip.....	8	A. Scanning Photos.....	20
B. Using the Film Holder to scan 35mm Slide.....	9	B. Scanning Film.....	22
Scanning Scenarios.....	10	Specifications / System Requirements.....	24
		FCC Compliance Statement.....	25

Features of the ScanMaker i450

The ScanMaker i450 comes with several important features, including the following:


- **Energy-saving LED light source:** Adopting LEDs as the light source, when the scanner is detected by the system, there are no requirements for any warm-up time before carrying out the scan, which boots your productivity and reduces energy costs amazingly. With its stable performance, the image quality will remain consistent even after used for a certain period of time.
- **Integrated 35mm transparency adapter:** With a transparency adapter built in to the scanner lid for scanning slides, negatives, and transparencies built into the scanner lid, the ScanMaker i450 improves your productivity and saves you money in having to acquire additional film-scanning accessories.
- **Exclusive film holder:** This specially designed Microtek accessory is designed to hold slides and film in place. By loading the film holder on the scan bed before scanning film, you can ensure perfect alignment of your images and achieve consistent scans. You can use just one film holder to scan both 35mm slides and filmstrip.
- **Seven Smart-Touch buttons:** These buttons on the front panel of the scanner provide you with a quick and easy way to launch frequently used scanner functions. All it takes is one touch of a button — and you can launch the scanner button's corresponding function. The seven Smart-Touch buttons include Cancel/Setup, Scan, Copy, E-mail, OCR, PDF, and Custom.
- **Microtek's ColoRescue™:** This color restoration solution restores faded colors in both photos and film, bringing hues back to their original luster and brilliance for more vibrant images. ColoRescue's one-click, automatic color recovery process is simple and straightforward, involving no learning curve or hassle.
- **Microtek ScanWizard EZ scanning software (PC):** ScanWizard EZ is developed exclusively for Microtek scanners running on a PC system. It has three unique scan modes, the EZ mode, the Advanced mode and the Professional mode that no matter novices and experienced users can find it productive and easy to use.
- **ScanPotter scanning software (Mac):** ScanPotter is a scanning software developed exclusively for Microtek scanners running on a Mac system. ScanPotter has a unique and clean interface that users will find productive and easy to use.

Taking a Closer Look



How the Smart-Touch Scanner Buttons Work

The Smart-Touch buttons on the scanner simplify frequently performed tasks, such as scanning images or sending scanned images to a printer. By pressing any of the Smart-Touch buttons, you can activate the function associated with that button quickly and easily.

For each scanner button, the parameters governing the use of that button are defined or set through the Microtek Scanner Configuration (MSC) utility in your Windows system or through ScanPotter in your Mac OS X system. For instance, you can define how many copies are to be printed of your scan every time you hit the “Copy” button. To launch the MSC utility, exit ScanWizard EZ first, and then double-click the MSC icon () on your desktop.

Note: Make sure that you have exited ScanWizard EZ program before using scanner buttons when you are in Windows system; however, if you are using Mac OS X, you need to activate ScanPotter program before using scanner buttons.

The ScanMaker i450 is equipped with seven Smart-Touch buttons for easy access to frequently used scanner functions. To carry out a specific task, simply press the corresponding button on the scanner. The Smart-Touch buttons are:

1. **Cancel/Setup:** This button cancels an ongoing scan job, or launches the Microtek Scanner Configuration utility when the scanner is idle.
2. **Scan:** This button captures images that can be automatically saved as files or sent to another application for further processing.
3. **Copy:** This button scans the image and sends it to your printer, transforming your scanner and printer into a convenient copy station. Simply specify the number of copies you want. To use the **Copy** button to print a stack of documents:
 - Place the first page on the scanner glass surface.
 - Press the Copy button to scan an image to a file, then automatically output to your specified printer.
 - Load the next page and press the Copy button again. The scanner works in similar fashion to your printer, printing documents one after another with no interruptions.
4. **E-mail:** This button scans the image and delivers it directly to your e-mail editor.
5. **OCR:** This button performs OCR (Optical Character Recognition) of a document and converts it to a fully editable digital file. Saves time from retyping documents into your word processor.
6. **PDF:** This button captures an image and automatically saves it as an Adobe Portable Document Format (PDF) file for immediate viewing with the Adobe Acrobat software.

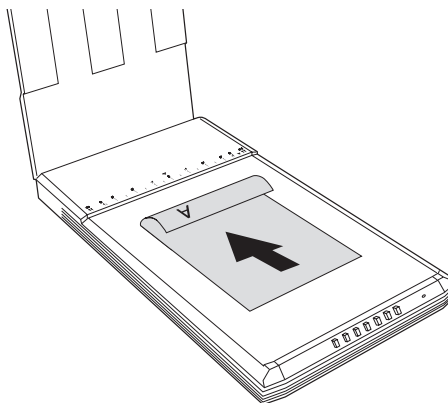
7. **Custom:** This button customizes the Custom button to perform four of the most commonly used functions, including:
- **Power Saving:** Turns the scanner lamp ON or OFF to save power and lamp life.
 - **Scan:** Defines another button to be a second “Scan” button. Use this if you need a second “Scan” button with different parameters from the first Scan button.
 - **Fax:** Launches a fax driver installed on your computer.
 - **Launch Application:** Defines an application to be launched.

Positioning Your Originals

Positioning Reflective Originals

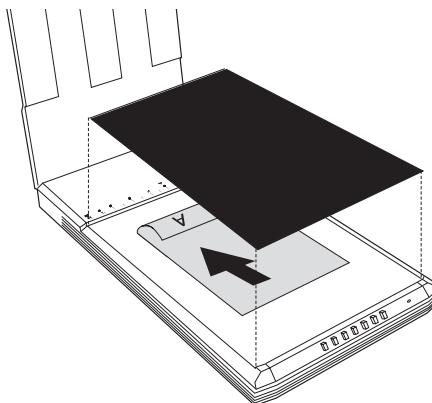
To scan reflective originals such as photos and printed matter, use the Black Mat came with your scanner package.

1. Raise the scanner lid, and place the photo to be scanned face down on the scanner glass surface. Position the top end of the photo towards the **back** of the scanner.



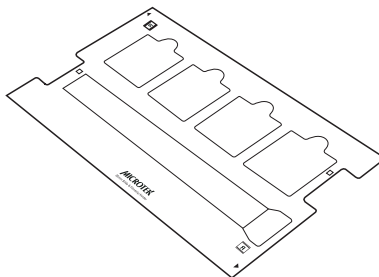
2. Place the **Black Mat** that came with your scanner on top of the photo, then lower the scanner lid on the scanner glass surface.

Note: Use of the Black Mat on top of your photo filters out unwanted light during scanning, and ensures the correct functioning of the automatic cropping feature when you do a preview scan.



Positioning Transparent Film

To scan film, use the film holder included with your scanner package, and match it with the correct type of film to be scanned, such as 35mm slides and filmstrip. Using the film holder ensures precise alignment of film to yield consistent scans, and aids in the correct performance of the automatic cropping* feature during film scanning.



Notes on automatic cropping

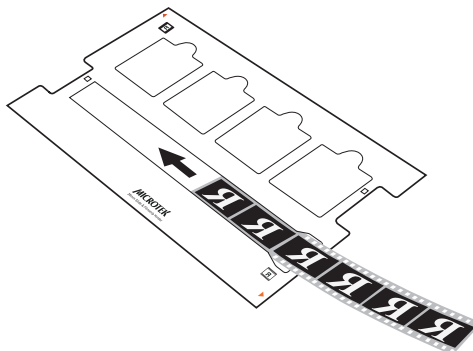
For the scanner to perform automatic cropping during scanning, the following conditions below should all be met:

- Your computer's operating system should be Windows or Mac OS X.
- The film holder is correctly aligned on the scan bed.
- The scan material is Positive or Negative Film, with the slide or filmstrip to be scanned correctly loaded on the film holder.
- For Windows: In the Scan Job Queue window of ScanWizard EZ - Professional Mode, the “Multiple Auto-crop for EZ-Lock Film Holder” option is checked.
For Mac OS X: In the Scanner Settings control panel of ScanPotter, the “Automatic Detection” option in the Scan Frame drop-down menu is selected.

A. Using the Film Holder to scan 35mm Filmstrip

To scan 35mm filmstrips, use the film holder, which can simultaneously hold one strip of 6 frames.

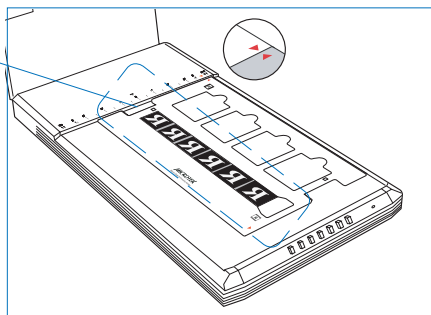
1. Load the filmstrip face down inside the holder. Slide the filmstrip along the slot of the holder until the filmstrip is fully loaded.



2. Raise the scanner lid, then place the film holder with the film on the scan bed. The holder should be positioned against the **top right** edge of the scanner bed, with the filmstrip slot running down the center.



The **calibration window** on the glass surface should be kept clear and free from any obstruction during scanning



To make sure the auto multiframe cropping feature performs correctly, align the holder's front edge against the top ruler of the scanner.

Note that the arrow marks on both the film holder and scanner's top ruler are pointing to each other.

3. Gently lower the scanner lid down onto the scan bed; the lid should be able to close completely.

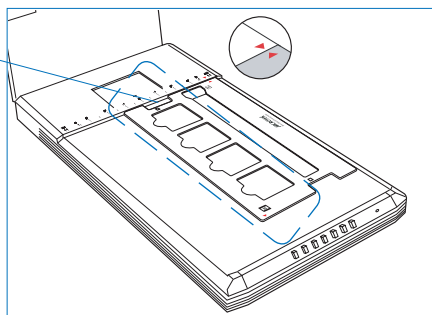
B. Using the Film Holder to scan 35mm Slides

To scan 35mm slides, use the film holder, which can hold up to four mounted 35mm slides at a time.

1. Raise the scanner lid, then place the film holder with the film on the scan bed. The holder should be positioned against the **top right** edge of the scanner bed, with the slide slot running down the center.



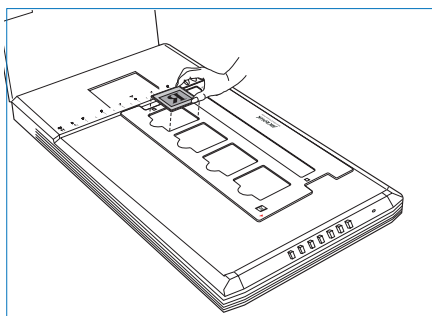
The **calibration window** on the glass surface should be kept clear and free from any obstruction during scanning



To make sure the auto multiframe cropping feature performs correctly, align the holder's front edge against the top ruler of the scanner.

Note that the arrow marks on both the film holder and scanner's top ruler are pointing to each other.

2. Place the 35mm slide to be scanned in the film holder, with the slide facing down.



3. Gently lower the scanner lid down onto the scan bed; the lid should be able to close completely.

Scanning Scenarios

The following pages provide various scenarios for scanning with the ScanMaker i450, including the following:

For PC Users Using ScanWizard EZ,

- Scanning photos (1): This scenario can also be your first scan in order to familiarize yourself with scanning basics. It makes use of the **EZ Mode** in ScanWizard EZ.
- Scanning photos (2): This scenario is similar to that described above but uses the **Advanced Mode** in ScanWizard EZ.
- Scanning photos (3): This scenario details the steps for scanning photos. It makes use of the **Professional Mode** in ScanWizard EZ.
- Scanning film (1): This scenario details the steps for scanning film. It makes use of the **Advanced Mode** in ScanWizard EZ.
- Scanning film (2): This scenario is similar to that described above but uses the **Professional Mode** in ScanWizard EZ.

For Mac Users Using ScanPotter,

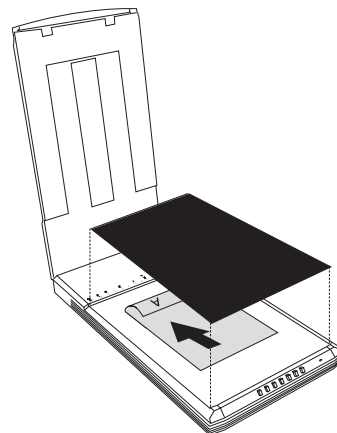
- Scanning photos: This scenario details the steps for scanning photos.
- Scanning film: This scenario details the steps for scanning film.

For PC Users Using ScanWizard EZ

A. Scanning Photos (1)

This scenario uses the **ScanWizard EZ - EZ Mode**.

1. Raise the scanner lid, and place the photo to be scanned face down on the scanner glass surface. Position the top end of the photo towards the **back** of the scanner.
2. Place the **Black Mat** that came with your scanner on top of the photo, then lower the scanner lid on the scanner glass surface.



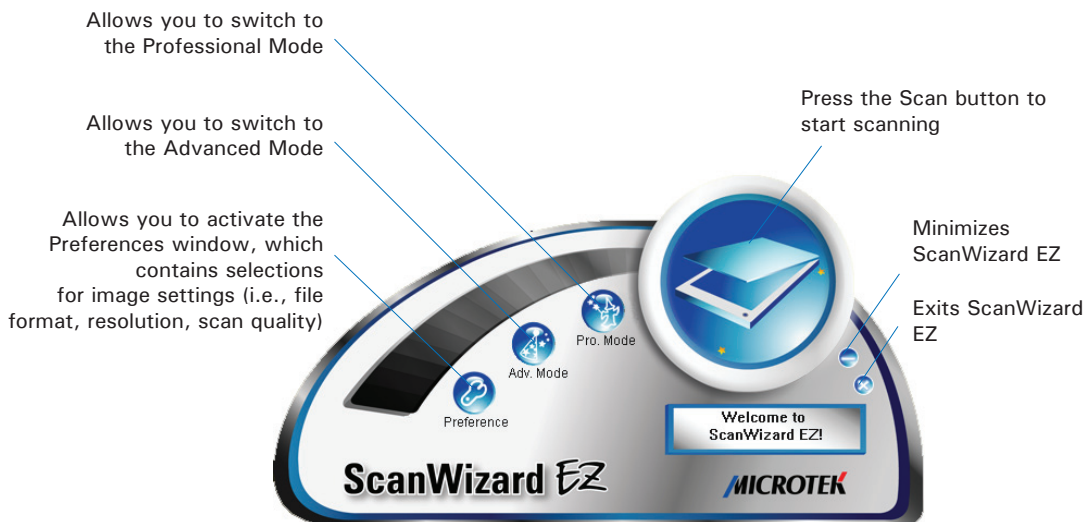
Note: Use of the Black Mat on top of your photo filters out unwanted light during scanning, and ensures the correct functioning of the automatic cropping feature when you do a preview scan.

3. Double-click the *ScanWizard EZ* icon on your desktop to launch ScanWizard EZ.

When ScanWizard EZ is launched for the first time, the control panel of **ScanWizard EZ - EZ Mode** appears on the screen automatically.


4. Click the *Scan* button to start scanning.

The ScanWizard EZ will detect the photo on the scanner glass surface first, next automatically calibrate the scanner, crop the image, and perform the image scan with factory settings. When done, the output image can be saved in a file and delivered to the specified location.







B. Scanning Photos (2)

This scenario uses the **ScanWizard EZ - Advanced Mode**.

1. Follow the step 1 in “Scanning Photos (1)” to place the photo to be scanned on the scanner glass surface.
2. Double-click the *ScanWizard EZ* icon () on your desktop to launch ScanWizard EZ.

When ScanWizard EZ is launched for the first time, the ScanWizard EZ - EZ Mode control panel appears on the screen.

3. Click the *Advanced Mode* button () on the control panel of the EZ Mode to switch to the **ScanWizard EZ - Advanced Mode**.
4. Click the *Preferences* button () to open the Preferences window; then choose *Reflective* from the Scan Mode layer as your scan material.
5. If necessary, specify other settings related to your output image in the Preferences window.
 - a) Select a desired scan quality from *Speed*, *Quality*, and *Best Quality* options in the Scan Mode layer.
 - b) Specify the folder location, a file name, and the file format for the output image in the Save layer.
 - c) Specify a preferred application to open your output image in the Save layer.
6. Click the *Preview* button () to perform a preliminary view of the entire image, which will appear in the Preview area at the right side of the window.
7. After a preview image is shown in Preview area, if necessary, you can resize the scan frame (floating dotted line) around the image by dragging on the edge or corner of the scan frame to determine the final size of the actual scan.
8. Click the *Select* button () to activate a display of nine-image effects and related option settings.
9. Specify the scanning requirements depending on your purpose about manipulating the image.
 - Select a desired viewing size for the on-screen display purpose.
 - Select a desired output dimension and a resolution for printing purpose.
 - Set up a custom resolution.

10. Choose a desired image effect from the display of nine-image effects, and click the Scan button to start scanning.

The ScanWizard EZ will calibrate the scanner first; then it will automatically perform the final scan with your preferred settings. When the scan is done, the output image can be saved in a file and delivered to the specified location or opened in your chosen application.

The image shows the Microtek ScanWizard EZ software interface in Advanced Mode. The main window displays a preview of a scanned image of a woman in a peacock dress. Below the preview are several control buttons: 'Preview' (6), 'Select' (8), 'Help' (7), 'Preference' (7), 'EZ Mode' (5), and 'Pro. Mode' (5). A 'Preference' dialog box is open, showing settings for 'Scan materials' (Reflective), 'Rotate' (None), and 'Scan Quality' (Speed). Below the main window is a 'What is the purpose for your image?' dialog with options for 'For Display', 'For Printing', and 'Customize'. A 'Zoom image size by the multiple of screen resolution' dialog is also present with options from 0.5x to 8.0x. A 'Scan' button (9) is highlighted, and a 'Back' button (10) is visible. A grid of nine image effects is shown, with the second effect in the first row highlighted. A 'Document Adjustment' dialog is also visible in the bottom right corner of the effects grid.

6 Preview

8 Select

7 Help Preference

5 EZ Mode Pro. Mode

4

9 Scan

10 Back

Preference

Auto Settings | Scan Mode | Save

Scan materials:

- Reflective
- Positive Film (Advanced Mode only)
- Negative Film (Advanced Mode only)

Rotate: None Mirror

Scan Quality: Speed

OK Cancel

What is the purpose for your image?

- For Display
- For Printing
- Customize

Zoom image size by the multiple of screen resolution:

- 0.5 x
- 1.0 x
- 1.5 x
- 2.0 x
- 2.5 x
- 3.0 x
- 3.5 x
- 4.0 x
- 4.5 x
- 8.0 x

Press to scan.

Selections and options for image settings

Returns to the previous page

The display of nine-image effects

C. Scanning Photos (3)

This scenario uses the **ScanWizard EZ - Professional Mode**.

1. Follow the step 1 in “Scanning Photos (1)” to place the photo to be scanned on the scanner glass surface.

2. Double-click the *ScanWizard EZ* icon () on your desktop to launch ScanWizard EZ.

When ScanWizard EZ is launched for the first time, the ScanWizard EZ - EZ Mode control panel appears on the screen.

3. Click the *Professional Mode* button () on the control panel of the EZ Mode to switch to the **ScanWizard EZ - Professional Mode**.

All 3 windows (Preview, Settings, and Scan Job Queue) appear automatically after the Professional Mode is started up for the first time.

4. In the Preview window of the Professional Mode, click the *Scan Material* button to choose *Reflective* for photos.



Reflective
 Positive Film
 Negative Film

5. Click the *Overview* button to perform a preliminary scan of the image, which will appear in the Preview window.

6. In the Preview window, you can resize the scan frame (floating dotted line) around the image by dragging on the edge or corner of the scan frame to determine the final size of the actual scan.

7. Specify your scanning requirements in the *Settings* window.

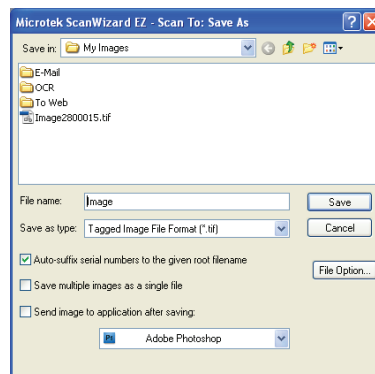
- a) Select a desired image type.
- b) Select a desired resolution.
- c) Adjust the scan frame settings if necessary.

8. Adjust image quality if necessary, using the Advanced Image Correction (AIC) tools.

9. If the colors in your photo are faded and need restoring, check the “Automatic Color Restoration” box in the Settings window.

10. Click the *Scan to* button to scan the image.

When the “Scan To: Save As” dialog box appears, specify the folder location, a file name, and the format for the output image; then click **Save**. The image is scanned and saved to the specified location.



7.a Scan Job : Untitled1

7.b Type : RGB Colors

7.c Resolution : 300 ppi

Scan Frame x Scaling = Output

W: 5.03 100% 5.03 inch

H: 6.88 6.88

Image Size : 9,127 KB

Fixed Scan Frame

Fixed Output Size

Keep Proportion

8

White/Black Pts: Automatic

Tone Curve: No Correction

Bit/Contrast: No Correction

Color Correction: No Correction

Filter: None

Descreen: None

9 Automatic Color Restoration

Reset

Settings window

5

6

10

4

Microtek ScanWizard EZ - Professional Control Panel: Overview

Scanner View Preferences Correction Help

Overview Prescan Scan to

Frame Magnify Fan B.Drop/W.Drop Material EZ Adv

Overview

MICROTEK While selecting, press "CTRL" key to keep aspect ratio selection, or press "SHIFT" key to add new job.

Preview window

Zoom : 100%

X : 4.18

Y : 0.84

R : 86 / 102

G : 64 / 73

B : 52 / 54

Information window

Status	Type	Job Title	Size
✓		Untitled1	9,127 KB

One-pass Scan for Multiple Jobs

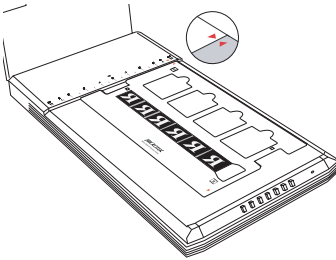



Multiple Auto-crop for EZ-Lock Film Holder

Total Scan Jobs: 1 Job(s) Scanned: 0

Scan Job Queue window

D. Scanning Film (1)

This scenario uses the **ScanWizard EZ - Advanced Mode**.

1. Raise the scanner lid, then follow the procedures in the “Positioning Transparent Film” section to load the film and to place the film holder on the scanner glass surface. Gently lower the scanner lid down onto the scanner scan bed.
 
2. Follow the procedures (step 2 and 3) in “Scanning Photos (2)” to activate the **ScanWizard EZ - Advanced Mode**.
3. Click the *Preferences* button () to open the Preferences window; then *Positive Film* for transparencies and slides; choose *Negative Film* for negatives, depending on the film type you are using.
4. If necessary, specify other settings related to your output image in the Preferences window.
 - a) Select a desired scan quality from *Speed*, *Quality*, and *Best Quality* options in the Scan Mode layer.
 - b) Specify the folder location, a file name, and the file format for the output image in the Save layer.
 - c) Specify a preferred application to open your output image in the Save layer.
5. Click the *Preview* button () to perform a preliminary view of the entire image, which will appear in the Preview area at the right side of the window.
6. After a preview image is shown in Preview area, if necessary, you can resize the scan frame (floating dotted line) around the image by dragging on the edge or corner of the scan frame to determine the final size of the actual scan.
7. Click the *Select* button () to activate a display of nine-image effects and related option settings.
8. Specify the scanning requirements depending on your purpose about manipulating the image.
 - Select a desired viewing size for the on-screen display purpose.
 - Select a desired output dimension and a resolution for printing purpose.
 - Set up a custom resolution.

- Choose a desired image effect from the display of nine-image effects, and click the Scan button to start scanning.

The ScanWizard EZ will calibrate the scanner first; then it will automatically perform the final scan with your preferred settings. When the scan is done, the output image can be saved in a file and delivered to the specified location or opened in your chosen application.

The screenshot shows the Microtek ScanWizard EZ software interface in 'Advanced Mode - Negative'. It features a main workspace with a vertical strip of image effects (6) and a bottom panel with a grid of nine image effects (8). A 'Preference' dialog box (3) is open, showing settings for scan materials, rotation, and quality. A 'Scan' button (9) is visible in the bottom panel. Callouts 5 and 7 point to 'Preview' and 'Select' buttons respectively. Callout 4 points to 'EZ Mode' and 'Prof. Mode' buttons. Callout 8 points to the 'Back' button. Callout 9 points to the 'Scan' button.

5 Preview

7 Select

Allows you to activate the Preferences window

Allows you access the ScanWizard EZ manual

Allows you to switch to the EZ Mode

Allows you to switch to the Professional Mode

3

4

8

9

Preference

Auto Settings | Scan Mode | Save

Scan materials:

- Reflective
- Positive Film (Advanced Mode only)
- Negative Film (Advanced Mode only)

Rotate: None [v] Mirror

Scan Quality: Speed [v]

OK Cancel

What is the purpose for your image?

- For Display
- For Printing
- Customize

Zoom image size by the multiple of screen resolution:

- 0.5 x
- 1.0 x
- 1.5 x
- 2.0 x
- 2.5 x
- 3.0 x
- 3.5 x
- 4.0 x
- 4.5 x
- 5.0 x

Scan

Help Preference

Back

<Auto Shadow/Highlight> To apply this effect, select this image and click Scan button to scan.

Returns to the previous page

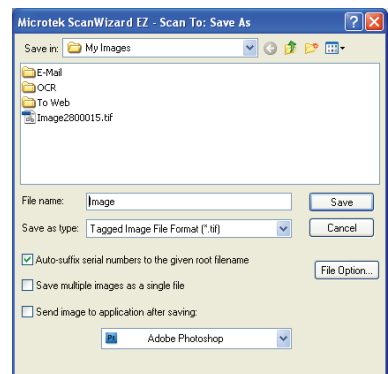
The display of nine-image effects

E. Scanning Film (2)

This scenario uses the **ScanWizard EZ - Professional Mode**.

1. Raise the scanner lid, then follow the procedures in the “Positioning Transparent Film” section to load the film and to place the film holder on the scanner glass surface. Gently lower the scanner lid down onto the scanner scan bed.
2. Follow the procedures (step 2 and 3) in “Scanning Photos (3)” to activate the **ScanWizard EZ - Professional Mode**.
3. In the Preview window of the Professional Mode, click the *Scan Material* button to choose *Negative Film* for negatives; choose *Positive Film* for transparencies and slides, depending on the film type you are using.
4. Click the *Overview* button to perform a preliminary scan of the film loaded onto the scanner.
5. In the Preview window, you can resize the scan frame (floating dotted line) around the image by dragging on the edge or corner of the scan frame to determine the final size of the actual scan.
6. Specify your scanning requirements in the *Settings* window.
 - a) Select a desired image type.
 - b) Select a desired resolution.
 - c) Adjust the scan frame settings if necessary.
7. Adjust image quality if necessary, using the Advanced Image Correction (AIC) tools.
8. If the colors in your film sample are faded and need restoring, check the “Automatic Color Restoration” box in the Settings window.
9. Click the *Scan to* button in the Preview window to scan all the checked jobs.

When the “Scan To: Save As” dialog box appears, specify the folder location, a file name, and the format for the output image, then click **Save**. The image is scanned and saved to the specified location.



6

7

8

Scan Job: Untitled3

Type: RGB Colors

Resolution: 300 ppi

Scan Frame x Scaling = Output

W: 0.98 0.98 inch

H: 1.40 1.40

Image Size: 364 KB

Fixed Scan Frame

Fixed Output Size

Keep Proportion

White/Black Pts: No Correction

Tone Curve: No Correction

Bit/Contrast: No Correction

Color Correction: No Correction

Filter: None

Descreen: None

Automatic Color Restoration

Reset

Settings window

4

5

9

3

Microtek ScanWizard EZ - Professional Mode : Overview

Scanner View Preferences Correction Help

Overview Prescan

Frame Magnify Pan B.Drop/W.Drop

Material EZ Adv.

Overview

0 1 2 3 4 5 6 7 8 9

MICROTEK While selecting, press "CTRL" key to keep aspect ratio selection, or press "SHIFT" key to add new job.

Preview window

Zoom: 100%

X: 4.18

Y: 0.84

R: 86 / 102

G: 64 / 73

B: 52 / 54

Information window

Status	Type	Job Title	Size
✓		Untitled1	364 KB
✓		Untitled2	357 KB
✓		Untitled3	364 KB

One-pass Scan for Multiple Jobs

Multiple Auto-crop for EZ-Lock Film Holder

Total Scan Jobs: 3 Job(s) Scanned: 0

Scan Job Queue window

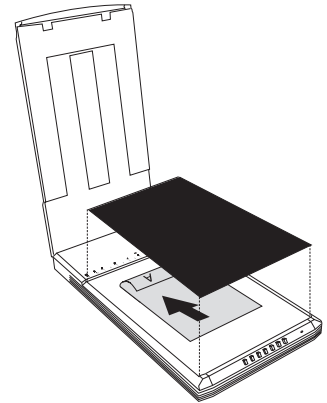
If you want to create more scan frames and perform one pass scan for all the selected frames, a) click the **New** button in the Scan Job Queue window, a new frame with a new title appears in the window; b) repeat the previous step to create more scan frames as desired; c) check the "One-pass Scan for Multiple Jobs" option in the Scan Job Queue window. For more details about the "One-pass Scan for Multiple Jobs", refer to the ScanWizard EZ- Professional Mode on-line help.

For MAC Users Using ScanPotter

A. Scanning Photos

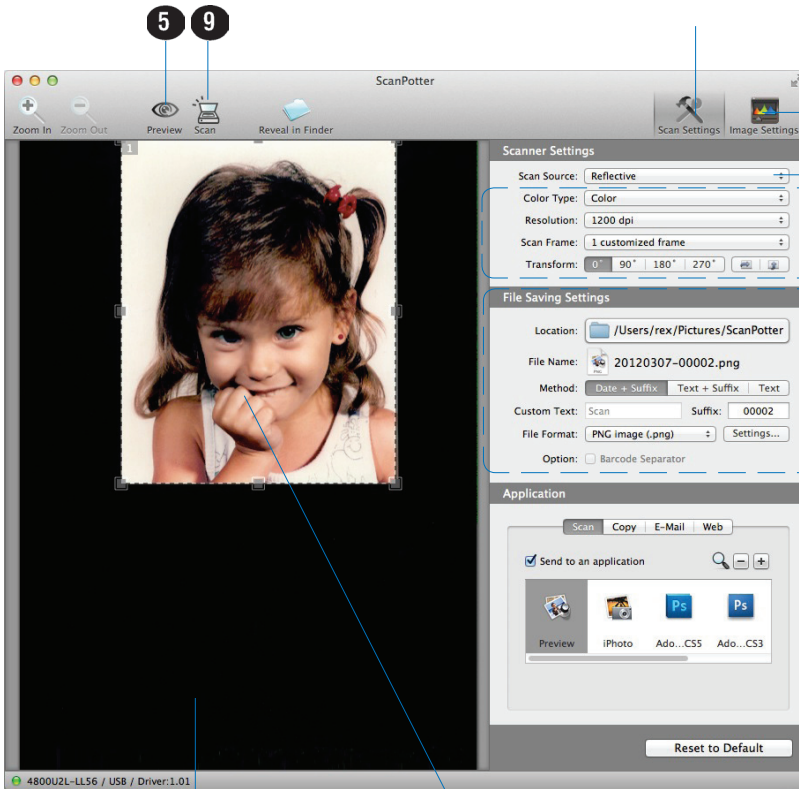
1. Raise the scanner lid, place the photo to be scanned on the scan bed. The top end of the original should be positioned towards the **back** of the scanner, with the surface to be scanned facing down. Then, place the **Black Mat** on top of the photo.

Note: Use of the Black Mat on top of your photo filters out unwanted light during scanning, and ensures the correct functioning of the automatic cropping feature when you do a preview scan.



2. Launch ScanPotter either as a stand-alone by clicking on the program icon, or by selecting it from the application folder in your Mac OS X system.
3. Choose **Reflective** from the Scan Source options menu for scanning photos.
4. Specify your scanning requirements in the Scanner Settings column.
 - a) Select the appropriate image type (e.g., RGB Color) in the Color Type as your image output type.
 - Select **Color** to scan the image in color.
 - Select **Grayscale** to scan the image in grayscale.
 - Select **Black & White** to scan the image in black-and-white.
 - b) Select a desired resolution in the Resolution for your output image.
 - c) Select **Automatic Detection** or a desired dimension in the Scan Frame as your preview image size.
5. Click the **Preview** button to perform a preliminary scan of the image in the Preview window.
6. If necessary, resize the scan frame (floating dotted rectangle) around the image by dragging on the square spots on the edge or on the corner of the scan frame to determine the final size of the actual scan.
7. If necessary, specify file settings for your output image files, using the options offered in the File Saving Settings column.
8. If necessary, click the **Image Settings** button to switch to a window in which you can select a preset image effect to the image directly or adjust image quality manually by using the additional image correction tools.
9. Click the **Scan** button to start scanning.

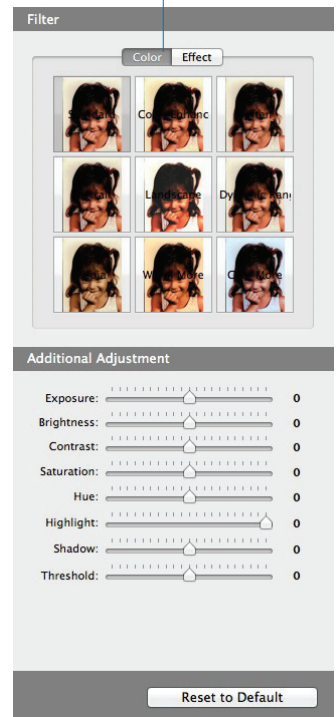
Click the **Scan Settings** button to switch back to the default control panel of ScanPotter



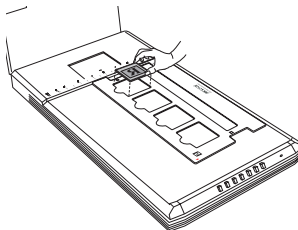
Preview window

6 Scan frame (enclosed by dotted lines)

8 Click the **Image Settings** button to switch to a window where contains a composite display of nine-image-effects (Filter column) and additional image correction tools (Additional Adjustment column) for your scanned image.



B. Scanning Film

1. Raise the scanner lid, then follow the procedures in the “Positioning Transparent Film” section to load the film and to place the film holder on the scanner glass surface. Gently lower the scanner lid down onto the scanner scan bed. 
2. Launch ScanPotter either as a stand-alone by clicking on the program icon, or by selecting it from the application folder in your Mac OS X system.
3. In the Scan Source drop-down menu, depending on the film type you are using, choose either **Negative Film** for scanning negatives or **Positive Film** for scanning transparencies and slides.
4. Specify your scanning requirements in the Scanner Settings column.
 - a) Select the appropriate image type (e.g., RGB Color) in the Color Type as your image output type.
 - Select **Color** to scan the image in color.
 - Select **Grayscale** to scan the image in grayscale.
 - Select **Black & White** to scan the image in black-and-white.
 - b) Select a desired resolution in the Resolution for your output image.
 - c) Select **Automatic Detection** in the Scan Frame to perform multiple auto-crop preview of the film loaded onto the scanner.
5. Click the **Preview** button to perform a preliminary scan of the image in the Preview window.

You will see multiple scan frames that have been automatically cropped in the Preview window. Multiple scan frames will be numbered sequentially and tagged with the number (e.g., 1, 2) at the top-left corner of each frame indicates that the image has been scanned. Delete the unwanted scan frames by clicking the “X” at the top-right corner of the scan frame if you want to.
6. If necessary, resize the scan frame (floating dotted rectangle) around the image by dragging on the square spots on the edge or on the corner of the scan frame to determine the final size of the actual scan.
7. If necessary, specify file settings for your output image files, using the options offered in the File Saving Settings column.
8. If necessary, click the **Image Settings** button to switch to a window in which you can select a preset image effect to the image directly or adjust image quality manually by using the additional image correction tools.
9. Click the **Scan** button to start scanning.

Selected scan frame (enclosed by dotted lines)

Click the **Scan Settings** button to switch back to the default control panel of ScanPotter

Click the **Image Settings** button to switch to a window where contains a composite display of nine-image-effects (Filter column) and additional image correction tools (Additional Adjustment column) for your scanned image.

5 9 6

3 4 7 8

Preview window

Multiple scan frames (bordered in dotted lines and tagged with the number (e.g., 1, 2) at the top-left corner of the scan frame)

Filter

Color Effect

Additional Adjustment

Exposure: 0

Brightness: 0

Contrast: 0

Saturation: 0

Hue: 0

Highlight: 0

Shadow: 0

Threshold: 0

Reset to Default

Scanner Settings

Scan Source: Positive Film

Color Type: Color

Resolution: 300 dpi

Scan Frame: Automatic Detection

Transform: 0° 90° 180° 270°

File Saving Settings

Location: .../Jenny/Pictures/ScanPotter

File Name: 20120323-00001.png

Method: Date + Suffix Text + Suffix Text

Custom Text: Scan Suffix: 00001

File Format: PNG image (.png) Settings...

Option: Barcode Separator

Application

Scan Copy E-Mail Web

Send to an application

Preview iPhoto Evernote

Reset to Default

Specifications

Scanning Modes	Color, grayscale, and black-and-white in a single scanning pass True 48-bit color (approx. 281 billion colors) 16-bit grayscale (approx. 65,535 shades of gray)		
Light Source	LED		
Scanning Area	Reflective: 8.5" x 11.7" (216 mm x 297 mm) Transparent: 1.77" x 10" (45 mm x 254 mm)		
Resolution	Optical: 4800 dpi x 9600 dpi		
Interface	Hi-Speed USB (USB 2.0)		
Dimensions (L x W x H)	17.99" x 9.76" x 2.24" (457 mm x 248 mm x 57 mm)		
Net Weight	5.07 lbs (2.35 kg)		
Environment	Operating Temperature: 50° F to 104° F (10° C to 40° C) Relative Humidity: 20% to 85%		
Voltage	AC 100V - 240V, 50/60 Hz (12V, 1.5A)		
Power Consumption	18 W		
Power Supply (AC/DC adapter)	<u>Voltage</u>	<u>Manufacturer</u>	<u>Model No.</u>
	100V to 240V	WUXI HARD	HDAD-120015-3C (U.S.)
	100V to 240V	WUXI HARD	HDAD-120015-3B (Europe)
	100V to 240V	WUXI HARD	HDAD-120015-3D (AUS)
	100V to 240V	WUXI HARD	HDAD-120015-3E (UK)
	100V to 240V	MEAN WELL	GS18U12 (TWN)

System Requirements

General Requirements

- CD/DVD-ROM drive (for installing software)
- Color display with 24-bit color output capability
- 512 MB RAM or more

PC and compatibles

- Pentium IV PC or higher with Hi-Speed USB (USB 2.0) port
- Microsoft Windows XP/Vista, or Windows 7

Macintosh

- Intel-Based Mac computer with built-in USB port
- Mac OS X 10.6 through 10.7

Important

Specifications, software bundles, and accessories are subject to change without notice. Not responsible for typographic errors.

FCC Compliance Statement

This equipment (Model: MRS-9600TU2L) has been tested and found to comply with the limits for a Class B digital device, pursuant to Part 15 of the FCC rules. These limits are designed to provide reasonable protection against harmful interference in a residential installation. This equipment generates, uses and can radiate radio frequency energy and, if not installed and used in accordance with the instructions, may cause harmful interference to radio communications. However, there is no guarantee that interference will not occur in a particular installation. If this equipment does cause harmful interference to radio or television reception, which can be determined by turning the equipment off and on, the user is encouraged to try to correct the interference by one or more of the following measures:

- Reorient or relocate the receiving antenna.
- Increase the separation between the equipment and receiver.
- Connect the equipment into an outlet on a circuit different from that to which the receiver is connected.
- Consult the dealer or an experienced radio/TV technician for help.

Note: *A shielded Hi-Speed USB interface cable with ferrite core installed on the scanner connector end must be used with this equipment.*

Caution: Changes or modifications not expressly approved by the manufacturer responsible for compliance could void the user's authority to operate the equipment.

This device complies with Part 15 of the FCC Rules. Operation is subject to the following two conditions: (1) This device may not cause harmful interference, and (2) this device must accept any interference received, including interference that may cause undesired operation.